

PRIME³

GVB41



Owner's manual
Bedienungsanleitung
Instrukcja obsługi

Leaf Vacuum
Laubsauger
Odkurzacz do liści

Diagram 1



Diagram 2

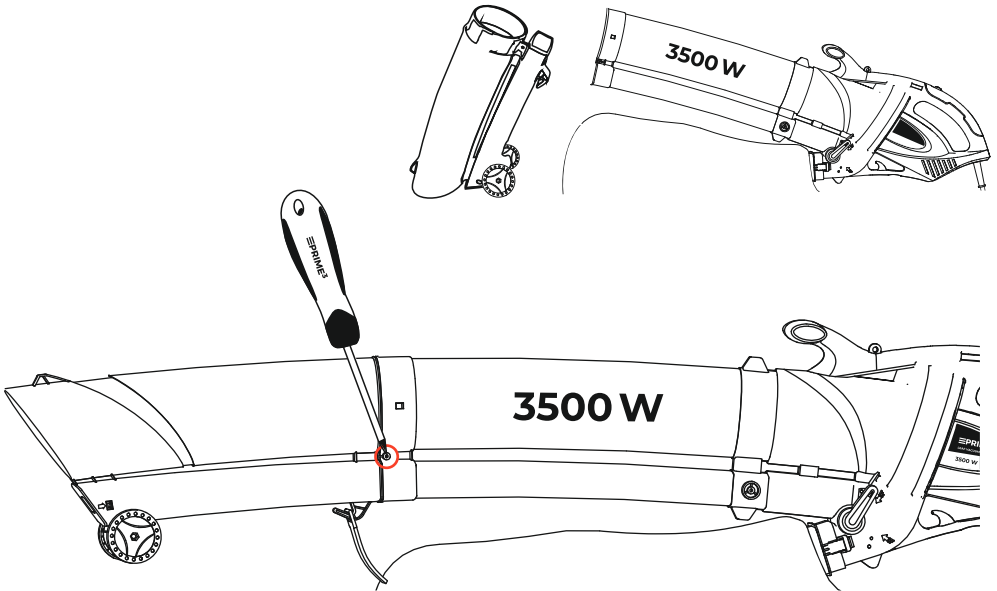


Diagram 3

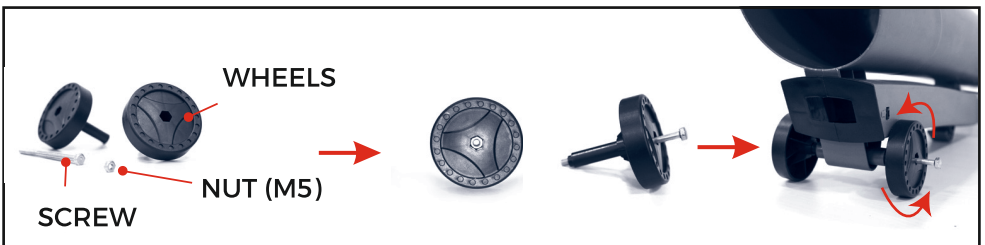


Diagram 4

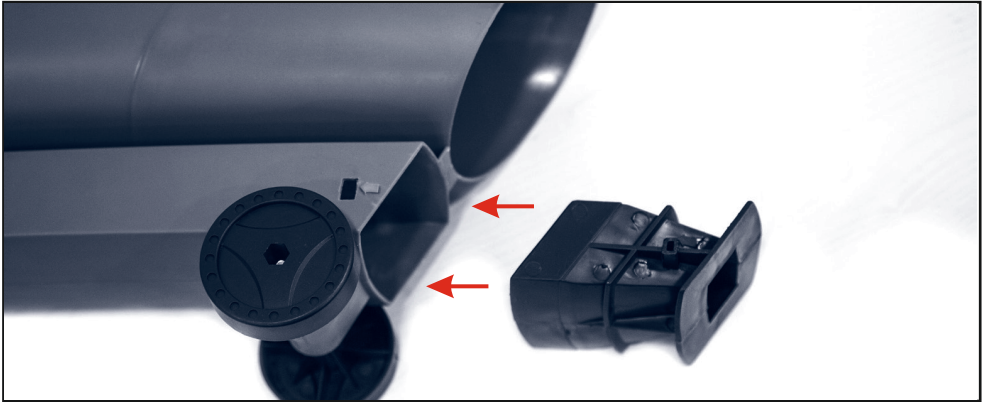


Diagram 5

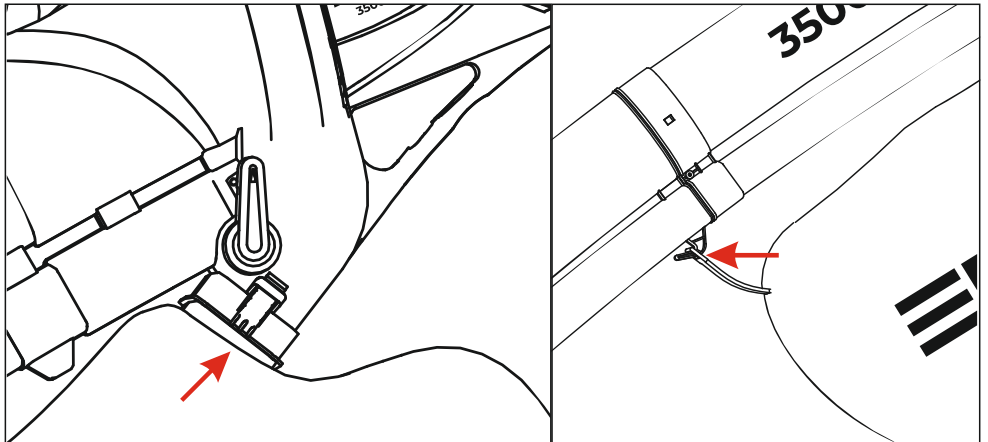


Diagram 6

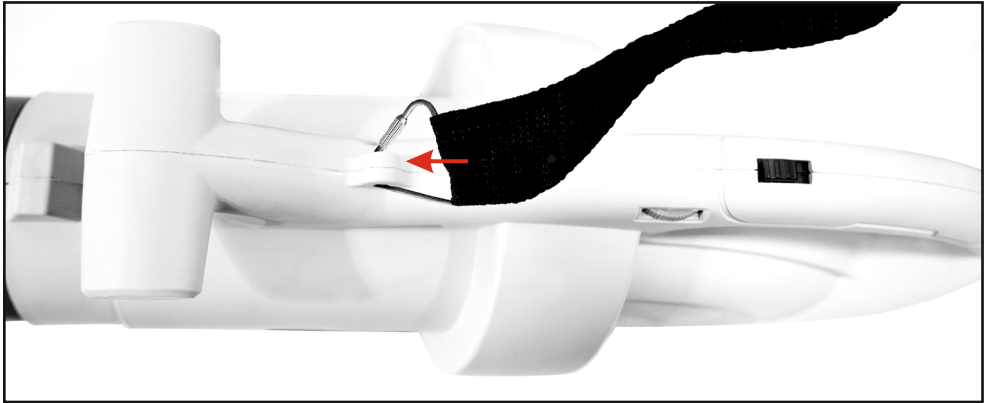


Diagram 7

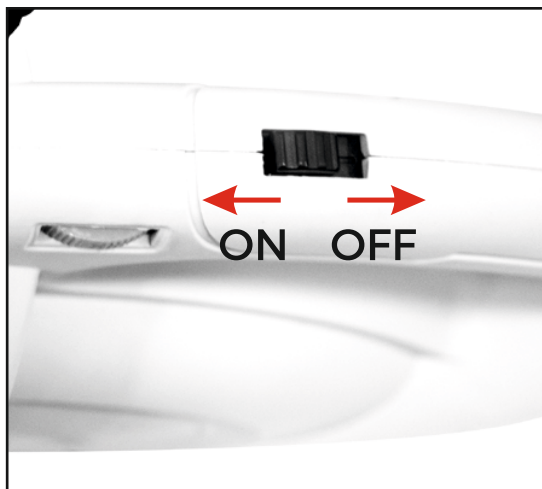
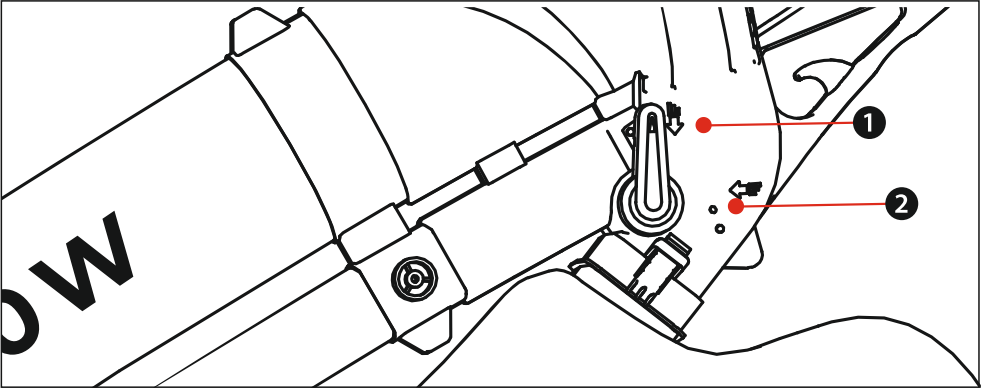


Diagram 8



IMPORTANT INFORMATION

In order to achieve the highest satisfaction, enjoy the performance of the product and learn all its features and functions, please read this manual before using this product.

Before using the device, read the operating instructions and follow the instructions contained therein. The manufacturer is not liable for any damage caused by the use of the device contrary to its intended use or improper operation.

The operating manual should be kept so that it can also be used during later use of the product.

- The device is intended for external use only. Do not use for other purposes inconsistent with its intended use.
- The device must only be connected to an earthed socket with the characteristics specified on the rating plate.
- Make sure that the total amperage of all devices connected to the wall outlet does not exceed the maximum rating of the fuse.
- If an extension cord is used, make sure the combined wattage of the equipment connected to the extension cord does not exceed the extension cord's capacity. Position the extension cord in such a way as to avoid accidental strokes and tripping over it. Make sure your extension cord is grounded, a 3-wire grounded receptacle.
- The device is not intended to be controlled by an external timer, separate remote control, or other equipment that could turn the device on automatically.
- Always disconnect the device from the power supply before any maintenance work. When disconnecting the power cord, always pull it out from the outlet by the plug. Never pull out the power cord by pulling the cord, as the plug or cord may be damaged, and in extreme cases, even a fatal electric shock may result.
- The device must not be left unattended when plugged in.
- Do not submerge the device in water or any other liquid.
- The device should be cleaned regularly according to the recommendations described in the section on Cleaning and maintenance of the device.

- Do not place the device near heat sources, flames, an electric heating element or on a hot oven. Do not put on any other device.
- This equipment may be used by children at least 8 years of age and by persons with reduced physical and mental abilities and persons with inexperience and knowledge of the equipment, provided that supervision or instruction regarding the use of the equipment is provided in a safe manner, so as to the dangers were understandable. Children should not play with the equipment.
- Unattended children should not clean and maintain the equipment.
- Be especially careful when using the device when children or pets are in the vicinity.
- Children must not play with the appliance.
- Do not use the device near flammable materials.
- Do not expose the device to weather conditions (rain, sun, etc.) or use it in high humidity.
- Periodically check the condition of the power cord. If the non-detachable power cord is damaged, it should be replaced at the manufacturer's or in a specialized repair shop or by a qualified person in order to avoid a hazard.
- Do not use the appliance with a damaged power cord, plug, or if it has been dropped or damaged in any way, or if it does not work properly. Do not repair the device yourself as it may cause electric shock. Take the damaged device to the appropriate service point for inspection or repair. Any repairs may only be performed by authorized service points. Incorrectly performed repair may pose a serious threat to the user.
- Use only original accessories for the device or those recommended by the manufacturer. The use of accessories not recommended by the manufacturer may damage the device and may jeopardize its safe use.
- Keep the workplace tidy and well lit.
- Clutter and insufficient lighting lead to accidents.

- Do not use power tools in potentially explosive atmospheres, ie in the presence of flammable liquids, gases or dust.
- A moment of inattention may result in loss of control of the tool.
- If dust extraction or collection tools are available, check that they are attached and operating properly. The use of such power tools will reduce the risk of dust.
- Do not lean too far with the power tool. Maintain a stable posture and balance. Thanks to this, you will have better control of the power tool in unforeseen situations.
- Avoid accidentally starting the power tool. Make sure the power switch is in the OFF position before connecting the power tool to the mains. Carrying the power tool with your finger on the trigger or energizing the power tool after it has been switched on may result in accidents.
- Wear appropriate clothing. Do not work in loose clothing and do not wear jewelry while working. Keep your hair, clothing and gloves away from moving parts. Moving power tool parts can grab and pull in loose clothing, jewelry, or long hair.
- Remove all wrenches or tools from the power tool. Tool or wrench still connected to the rotating part of the power tool may result in personal injury.
- When working with electric tools, exercise caution, concentrate on the work and use common sense. Do not use a power tool while you are tired or under the influence of drugs, alcohol or medication. A moment of inattention while operating power tools may result in a serious accident.
- Keep children away from the work area and DO NOT allow children to pull on the power cord - this can cause serious injury.
- Do not use other high-powered power tools on the same circuit to prevent overloading it.
- Always place and use the power tool on a stable, level and level surface.

- Before making any adjustments, changing accessories, or storing power tools, turn the power switch off to disconnect the power tool from the power source. Such preventive measures reduce the risk of starting the power tool accidentally.
- Before each use, check the housing for damage.
- Make sure the ventilation holes are free of debris.
- Objects can be blown by the air stream over a considerable distance. Before use, carefully inspect the work area for any objects, such as stones, broken glass, nails, wire or fibers.
- Risk of injury from ejected material. Do not use the machine on gravel. Only operate the device on a firm, level surface and in the recommended position.
- Serious injuries from rotating impeller blades. Keep body parts away from rotating parts. Switch off the motor and wait for the blades to stop rotating before opening the vacuum/blower housing, connecting / replacing tubes, or opening or removing the bag.
- Even if the device is used as recommended, some residual risk remains. The following hazards may occur when using the equipment:
 - Vibrations can cause injury. For each task, use the correct tools, handles provided, and use the lowest speed required for the job.
 - Noise can damage your hearing. Wear ear protectors to reduce risk.
 - Injury from objects being thrown out that may fly out of the blow tube due to air pressure if the bag is not properly fastened or damaged.
 - The device may only be used in a dry, well-lit environment.
 - The unit is designed to blow away and suck light debris such as leaves, grass and other garden debris.



Device is compliant with EU directives: - Low voltage directive (LVD)- Electromagnetic compatibility (EMC) Device marked CE mark on rating label.



When this crossed-out wheeled bin symbol is attached to a product it means that the product is covered by the European Directive 2002/96/EC. Please inform yourself about the local separate collection system for electrical and electronic products. Used appliance should be delivered to the dedicated collecting points due to hazardous components, which may affect the environment. Do not dispose this appliance in the common waste bin.

Environmental information

All unnecessary packaging has been omitted. We have tried to make the packaging easy to separate into three materials: cardboard (box), polystyrene foam (buffer) and poly ethylene (bags, protective foam sheet). Your system consists of material which can be recycled and reused if disassembled by a specialized company. Please observe the local regulations regarding the disposal of packaging materials, exhausted batteries and old equipment.



Your products is designed a manufactured with high quality materials and components, which can be recycled and reused.

USE PERSONAL PROTECTION

- Use safety glasses in accordance with the EN166 standard
- Use protective masks in accordance with the EN149 standard
- Use other precise personal protective equipment, depending on the type of work being performed.

Symbols on the device			
	<p>Before starting, carefully read the operating manual and all safety rules.</p>		<p>Blower mode.</p>
	<p>Wear appropriate eye and ear protection while operating the device.</p>		<p>Danger from objects ejected with great force. Keep bystanders away from the work area.</p>
	<p>Do not expose the device to rain or moisture.</p>		<p>Rotating fan impellers.</p>
	<p>Guaranteed sound pressure level stated on the label is 107 dB.</p>		<p>Keep hands and feet away from the openings while the machine is operating.</p>
	<p>Suction mode.</p>		

Device description (Fig. 1)

1. Holder for mounting a shoulder strap.
2. Speed regulation.
3. Switch.
4. Power cord.
5. Warning label.
6. Operation mode switch: vacuum cleaner / blower
7. Handle for the bag for leaves / debris.
8. Bag for leaves / debris.
9. Hook for mounting the bag.
10. Wheels.
11. Blower head.
12. The front tube of the vacuum/blower.
13. Middle tube of the vacuum/blower.

PREPARATION FOR USE**Please follow the steps below to assemble the device (Fig. 2):**

1. Unpack the central part of the vacuum tube, connect the tube with the body of the device so that the mounting hole fits the one in the middle tube.
2. Use the supplied screws (ST4.2x14) to connect the elements, tighten it with a screwdriver.
3. Install the front tube: insert the front tube from the hole in the middle tube, use the supplied screws (ST4.2x15) to fix the tube.

Fitting the guide wheels (Fig. 3)

1. Insert the nut (M5) into the hexagonal hole of the wheel.
2. Insert the wheel axles into the hole in the wheel bracket.
3. Insert the other wheel axles into the other side of the front tube.
4. Place the bolt (M5 * 80) in the bolt hole in the wheel.
5. Tighten the screw firmly with a screwdriver.

Mounting the blower head (Fig. 4)

1. Place the rectangular end of the blower head on the end of the front tube.

Fitting the bag for leaves / debris (Fig. 5)

1. Attach the push part of the bag on the list to the base of the device, following the support drawing.
2. Place the bag loop on the bag hook as shown in the support drawing.

Attaching the shoulder strap (Fig. 6)

1. Attach the shoulder strap latch to the column holder on the main case as shown in the support drawing.
2. Firmly tighten the latch nut.
3. Set your preferred strap length.

USE OF THE DEVICE

NOTE: Before using the device for the first time, read the warning points at the beginning of this manual.

1. Move the switch to the left to the "ON" position to start the device (Fig. 7).
2. Blower mode - slide the mode switch to the upper position to start the blower mode (Fig. 8 p. 1). Make sure the device is pointed and used safely when selecting blower mode. Do not direct the airflow from the blower directly or indirectly at another person.
3. Vacuum mode - slide the mode switch to the lower position to start the vacuum cleaner mode (Fig. 8 p.2). When vacuum mode is selected, air, leaves and other garden debris are drawn in through a large vacuum tube and pushed through the mulching rotor. The waste is shredded and then blown into a bag for leaves / debris.

IMPORTANT: Always make sure the bag is attached correctly as described in the "Fitting the bag for leaves / debris" section in this manual.

Always pay attention to what is drawn into the blower / vacuum tube. This product is intended only for the removal of garden debris such as leaves, twigs and garden cuttings.

4. Emptying the bag for leaves / debris- The bag is attached to the blower tube and housing in 2 places. There is no need to unfasten the bag from the device to empty it. The back of the bag is equipped with a full-length zipper. Simply open the zipper and empty the contents. Before starting the device, close the zipper.

Recommendations:

The following points may help you operate the GVB41 leaf blower

- Damp materials are difficult to grind and may also clog the machine and the chopper.
- If the leaves etc. are wet, use the vacuum cleaner in the blower selection mode to arrange the leaves etc. in one place and vacuum and grind them after they are dry.
- The leaf blower is not a garbage disposal device. Do not attempt to mulch any material other than general garden debris.
- Avoid using the vacuum cleaner in places with stones or other hard objects. These items will damage the vacuum cleaner blower fan.
- For better performance and comfort, it is recommended to empty the collection bag when it is approximately half full. This saves weight and also allows the vacuum cleaner to operate at the highest level.
- It is also recommended that the vacuum should not pick up dirt. The soil generally contains moisture, and when combined with other garden debris, it can clog the blower/vacuum.

CLEANING AND MAINTENANCE

Clean the device with a damp cloth. Do not use cleaning agents containing solvents. Do not submerge the device in water. Do not clean the device with a water hose or a pressurized water jet. Turn off the device before cleaning.

Specification:

- Power 3500 W
- 3 in 1 - blower, vacuum and mulching
- Light construction
- Bag capacity: 45 l
- 10:1 mulching ratio
- Air speed in blower mode up to 270 km/h
- Efficiency in vacuum mode: 573 m³/h
- Efficiency in blower mode: 306 m³/h
- Speed: 6000 - 14000 rpm
- 6-stage speed control
- Cable: 0.3 m
- LPA: 95 dB (A), KpA: 3 dB (A)
- LWA: 107 dB (A)
- Vibration: 4.95 m/s²
- Power supply: 230-240 V ~ 50/60 Hz
- Dimensions: 125.5 x 25 x 18 cm
- Weight: 3.2 kg

EC – DECLARATION OF CONFORMITY

01/2022/GVB41
2N-Everpol Sp. z o.o.
ul. Puławska 403A
02-801 Warsaw
Poland

PRIME³

Registered office:
Puławska 403A
02-801 Warsaw, Poland

Authorized person to prepare the technical documentation:
Tomasz Jakóbczyk
ul. Puławska 403A
02-801 Warsaw, Poland

Correspondence address :
Polna 6
05-500 Chyliczki, Poland
Tel +48 22 331 99 59
Fax +48 22 331 99 50

We declare under our sole responsibility that our product:

Bank details:
IBAN: PL 97 1160 2202 0000 0000
9062 2569
SWIFT: BIGBPLPW
Bank Millennium S.A

Type of device: **Leaf Vacuum**

Name:

GVB41

If used for its intended use complies with the essential protection requirements relating to the:

2014/30/EU (EMC Directive)
2014/35/EU (LVD Directive)
2000/14/EU (+2005/88/EU)
2011/65/EU (RoHS Directive) and its Annex II amending directive
2015/863/EU
EC 1907/2006 (REACH Directive)

The assessment of this product has been based on the following standards:

EMC standards:

EN IEC 61000-3-2:2019
EN 61000-3-3:2013+A1:2019
EN 55014-1:2017-06
EN 55014-2:2015-06

LVD standard:

EN 60335-
1:2012+AC:2014+A11:2014+A13:2017+A1:2019+A2:2019+A14:2019+A15:2021
EN 62233:2008
EN 50636-2-100:2014

MD standards:

EN ISO 12100:2010

Conformity assessment method used:

2000/14 / EC and amended by 2005/88 / EC
Annex V

RoHS standards:

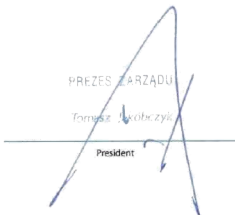
EN IEC 63000:2018

Sound power level dB (A)

Measures sound power level (LPA): 95dB(A), KpA: 3,0 dB(A)
Guaranteed sound power level (LWA): 107dB(A)

Warsaw, 25.02.2022

PREZES Zarządu
Tomasz Jakóbczyk
President



2N-Everpol Sp. z o.o.
Registered Office:
Puławska 403A
02-801 Warsaw, Poland

Registration Court: XIII Wydz. Gosp. Sądu Rej. Warszawa
President: Tomasz Jakóbczyk
VAT-No.: PL9512079512

Bank Account
IBAN: PL 97 1160 2202 0000 0000 9062 2569
SWIFT: BIGBPLPW
Bank Millennium S.A

WICHTIGE INFORMATIONEN

Um die höchste Zufriedenheit zu erreichen, die Leistung des Produkts zu genießen und alle seine Merkmale und Funktionen kennenzulernen, lesen Sie bitte dieses Handbuch, bevor Sie dieses Produkt verwenden.

Lesen Sie vor Gebrauch des Geräts die Bedienungsanleitung und befolgen Sie die darin enthaltenen Anweisungen. Der Hersteller haftet nicht für Schäden, die durch bestimmungswidrige oder unsachgemäße Verwendung des Gerätes entstehen.

Die Betriebsanleitung ist so aufzubewahren, dass sie auch beim späteren Einsatz des Produktes verwendet werden kann.

- Das Gerät ist nur zur äußerlichen Anwendung bestimmt. Nicht für andere Zwecke verwenden, die nicht mit der beabsichtigten Verwendung übereinstimmen.
- Das Gerät darf nur an eine geerdete Steckdose mit den auf dem Typenschild angegebenen Eigenschaften angeschlossen werden.
- Stellen Sie sicher, dass die Gesamtstromstärke aller an die Wandsteckdose angeschlossenen Geräte die maximale Nennleistung der Sicherung nicht überschreitet.
- Wenn ein Verlängerungskabel verwendet wird, stellen Sie sicher, dass die kombinierte Wattleistung der an das Verlängerungskabel angeschlossenen Geräte die Kapazität des Verlängerungskabels nicht übersteigt. Verlegen Sie das Verlängerungskabel so, dass versehentliche Schläge und Stolpern vermieden werden. Stellen Sie sicher, dass Ihr Verlängerungskabel geerdet ist, eine 3-adrige geerdete Steckdose.
- Das Gerät ist nicht dazu bestimmt, von einem externen Timer, einer separaten Fernbedienung oder anderen Geräten gesteuert zu werden, die das Gerät automatisch einschalten könnten.
- Trennen Sie das Gerät vor Wartungsarbeiten immer von der Stromversorgung. Ziehen Sie das Netzkabel beim Trennen immer am Stecker aus der Steckdose. Ziehen Sie das Netzkabel niemals durch Ziehen am Kabel heraus, da der Stecker oder das Kabel

Kabel beschädigt werden können und im Extremfall sogar ein tödlicher Stromschlag die Folge sein kann.

- Das angeschlossene Gerät darf nicht unbeaufsichtigt gelassen werden.
- Tauchen Sie das Gerät nicht in Wasser oder andere Flüssigkeiten.
- Das Gerät sollte regelmäßig gemäß den Empfehlungen im Abschnitt „Reinigung und Wartung des Geräts“ gereinigt werden.
- Stellen Sie das Gerät nicht in der Nähe von Wärmequellen, Flammen, einem elektrischen Heizelement oder auf einem heißen Ofen auf. Legen Sie kein anderes Gerät an.
- Dieses Gerät darf von Kindern ab 8 Jahren und von Personen mit eingeschränkten körperlichen und geistigen Fähigkeiten und Personen mit Unerfahrenheit und Kenntnissen des Geräts verwendet werden, vorausgesetzt, dass eine sichere Beaufsichtigung oder Einweisung in die Verwendung des Geräts gewährleistet ist, so dass die Gefahren verständlich waren. Kinder sollten nicht mit dem Gerät spielen.
- Kinder sollten das Gerät nicht unbeaufsichtigt reinigen und warten.
- Seien Sie besonders vorsichtig, wenn Sie das Gerät verwenden, wenn Kinder oder Haustiere in der Nähe sind.
- Kinder dürfen nicht mit dem Gerät spielen.
- Verwenden Sie das Gerät nicht in der Nähe von brennbaren Materialien.
- Setzen Sie das Gerät keinen Witterungseinflüssen (Regen, Sonne usw.) aus und verwenden Sie es nicht bei hoher Luftfeuchtigkeit.
- Überprüfen Sie regelmäßig den Zustand des Netzkabels. Wenn das nicht abnehmbare Netzkabel beschädigt ist, sollte es beim Hersteller oder in einer spezialisierten Reparaturwerkstatt oder von einer qualifizierten Person ersetzt werden, um Gefahren zu vermeiden.
- Verwenden Sie das Gerät nicht mit beschädigtem Netzkabel oder Stecker, oder wenn es fallen gelassen oder in irgendeiner Weise beschädigt wurde oder wenn es nicht richtig funktioniert.

Reparieren Sie das Gerät nicht selbst, da dies zu Stromschlägen führen kann. Bringen Sie das beschädigte Gerät zur Inspektion oder Reparatur zum entsprechenden Service Point. Reparaturen dürfen nur von autorisierten Servicestellen durchgeführt werden. Eine unsachgemäß durchgeführte Reparatur kann eine ernsthafte Gefahr für den Benutzer darstellen.

- Verwenden Sie nur Originalzubehör für das Gerät oder das vom Hersteller empfohlene. Die Verwendung von nicht vom Hersteller empfohlenem Zubehör kann das Gerät beschädigen und seine sichere Verwendung gefährden.
- Halten Sie den Arbeitsplatz aufgeräumt und gut beleuchtet.
- Unordnung und unzureichende Beleuchtung führen zu Unfällen.
- Verwenden Sie Elektrowerkzeuge nicht in explosionsgefährdeten Bereichen, dh in Gegenwart von brennbaren Flüssigkeiten, Gasen oder Staub.
- Ein Moment der Unaufmerksamkeit kann zum Verlust der Kontrolle über das Werkzeug führen.
- Wenn Staubabsaug- oder Auffangwerkzeuge vorhanden sind, prüfen Sie, ob diese angebracht sind und ordnungsgemäß funktionieren. Die Verwendung solcher Elektrowerkzeuge verringert das Staubrisiko.
- Lehnen Sie sich nicht zu weit mit dem Elektrowerkzeug. Achten Sie auf eine stabile Haltung und Balance. Dadurch haben Sie in unvorhergesehenen Situationen eine bessere Kontrolle über das Elektrowerkzeug.
- Vermeiden Sie ein versehentliches Starten des Elektrowerkzeugs. Stellen Sie sicher, dass sich der Netzschalter in der AUS-Position befindet, bevor Sie das Elektrowerkzeug an das Stromnetz anschließen. Das Tragen des Elektrowerkzeugs mit dem Finger am Abzug oder das Einschalten des Elektrowerkzeugs nach dem Einschalten kann zu Unfällen führen.
- Tragen Sie geeignete Kleidung. Arbeiten Sie nicht in lockerer Kleidung und tragen Sie bei der Arbeit keinen Schmuck. Halten Sie

Ihre Haare, Kleidung und Handschuhe von beweglichen Teilen fern. Bewegliche Teile von Elektrowerkzeugen können lockere Kleidung, Schmuck oder lange Haare erfassen und einziehen.

- Entfernen Sie alle Schraubenschlüssel oder Werkzeuge vom Elektrowerkzeug. Werkzeug oder Schraubenschlüssel, das/der immer noch mit dem rotierenden Teil des Elektrowerkzeugs verbunden ist, kann zu Verletzungen führen.
- Lassen Sie beim Umgang mit Elektrowerkzeugen Vorsicht walten, konzentrieren Sie sich auf die Arbeit und lassen Sie Ihren gesunden Menschenverstand walten. Verwenden Sie kein Elektrowerkzeug, wenn Sie müde sind oder unter dem Einfluss von Drogen, Alkohol oder Medikamenten stehen. Ein Moment der Unaufmerksamkeit beim Betrieb von Elektrowerkzeugen kann zu einem schweren Unfall führen.
- Halten Sie Kinder vom Arbeitsbereich fern und lassen Sie Kinder NICHT am Netzkabel ziehen – dies kann zu schweren Verletzungen führen.
- Verwenden Sie keine anderen leistungsstarken Elektrowerkzeuge am selben Stromkreis, um eine Überlastung zu vermeiden.
- Stellen und verwenden Sie das Elektrowerkzeug immer auf einer stabilen, ebenen und ebenen Oberfläche.
- Bevor Sie Einstellungen vornehmen, Zubehörteile wechseln oder Elektrowerkzeuge lagern, schalten Sie den Netzschalter aus, um das Elektrowerkzeug von der Stromquelle zu trennen. Solche vorbeugenden Maßnahmen reduzieren das Risiko eines versehentlichen Startens des Elektrowerkzeugs.
- Überprüfen Sie vor jedem Gebrauch das Gehäuse auf Beschädigungen.
- Stellen Sie sicher, dass die Lüftungsöffnungen frei von Schmutz sind.
- Gegenstände können vom Luftstrom über eine beträchtliche Entfernung weggeblasen werden. Untersuchen Sie den Arbeitsbereich vor dem Gebrauch sorgfältig auf Fremdkörper wie Steine, Glasscherben, Nägel, Drähte oder Fasern.

- **Verletzungsgefahr durch herausgeschleudertes Material.**
Verwenden Sie die Maschine nicht auf Kies. Betreiben Sie das Gerät nur auf festem, ebenem Untergrund und in der empfohlenen Position.
- **Schwere Verletzungen durch rotierende Laufradschaufeln.**
Körperteile von rotierenden Teilen fernhalten. Schalten Sie den Motor aus und warten Sie, bis sich die Blätter nicht mehr drehen, bevor Sie das Saug-/Blasgehäuse öffnen, Schläuche anschließen/austauschen oder den Beutel öffnen oder entfernen.
- **Auch bei bestimmungsgemäßem Gebrauch des Gerätes verbleibt ein Restrisiko.** Bei der Verwendung des Geräts können folgende Gefahren auftreten:
- **Vibrationen können Verletzungen verursachen.** Verwenden Sie für jede Aufgabe die richtigen Werkzeuge, mitgelieferten Griffe und die niedrigste Geschwindigkeit, die für die Arbeit erforderlich ist.
- **Lärm kann Ihr Gehör schädigen.** Tragen Sie einen Gehörschutz, um das Risiko zu verringern.
- **Verletzungen durch weggeschleuderte Gegenstände, die bei nicht ordnungsgemäß befestigtem oder beschädigtem Beutel durch den Luftdruck aus dem Blasrohr fliegen können.**
- **Das Gerät darf nur in trockener, gut beleuchteter Umgebung verwendet werden.**
- **Das Gerät ist so konzipiert, dass es leichten Schmutz wie Blätter, Gras und andere Gartenabfälle wegbläst und aufsaugt.**



Das Gerät entspricht den EU-Richtlinien: - Niederspannungsgeräte - Low voltage directive (LVD)
- Elektromagnetische Kompatibilität - Electromagnetic compatibility (EMC) Das Gerät besitzt das CE
- Kennzeichen auf dem Typenschild



Wenn sich auf dem Gerät ein Piktogramm mit einer durchgestrichenen Mülltonne befindet, bedeutet das, dass dieses Produkt den Beschlüssen der EU-Richtlinie 2012/19/EU entspricht. Man soll sich mit den Anforderungen des regionalen Systems für die Sammlung von elektrischen und elektronischen Abfällen vertraut machen. Man soll gemäß den örtlichen Vorschriften handeln. Dieses Produkt darf nicht zusammen mit dem Haushaltsabfall entsorgt werden. Die ordnungsgemäße Entsorgung dieses Produktes vermeidet potentiell negative Folgen für die Umwelt und menschliche Gesundheit.

Informationen zum Umweltschutz

Die Verpackung beinhaltet nur ungefährliche Bestandteile. Es wurde darauf geachtet, dass die drei Bestandteile leicht zu trennen sind: Pappe (Karton), Polystyrolschaum (Innenschutz) und Polyethylen (Tüten, Schutzbogen). Das Gerät ist aus Materialien die recycelbar sind und die nach der Demontage durch spezialisierte Firmen auch wiederverwendbar sind, hergestellt worden. Bitte beachten Sie die örtlichen Vorschriften zur Wiederverwertung von Verpackungsmaterial, verbrauchten Batterien und Altgeräten.



Das Produkt ist aus hochwertigen, recycelbaren und wiederverwendbaren Materialien und Bauelementen hergestellt.

PERSONENSCHUTZMASSNAHMEN BEACHTEN

- **Schutzbrillen gemäß der Norm EN166 benutzen**
- **Schutzmasken gemäß der Norm EN149 benutzen**
- **Andere entsprechende individuelle Schutzausrüstung, abhängig von der Art der ausgeführten Arbeit, benutzen.**

Symbole auf dem Gerät			
	Lesen Sie vor Beginn die Betriebsanleitung und alle Sicherheitsvorschriften sorgfältig durch.		Geläsemodus.
	Tragen Sie beim Betrieb des Geräts einen geeigneten Augen- und Gehörschutz.		Gefahr durch hochgeschleuderte Gegenstände. Umstehende Personen vom Arbeitsbereich fernhalten.
	Setzen Sie das Gerät weder Regen noch Feuchtigkeit aus.		Rotierende Lüfterräder.
	Der auf dem Etikett angegebene garantierte Schalldruckpegel beträgt 107 dB.		Halten Sie Hände und Füße von den Öffnungen fern, während die Maschine in Betrieb ist.
	Saugmodus.		

Beschreibung des Gerätes (Abb.1)

- | | |
|---|---|
| <ol style="list-style-type: none"> 1. Halter zur Montage des Gurtes auf der Schulter. 2. Geschwindigkeitsregelung. 3. Schalter. 4. Versorgungsleitung. 5. Warnetikette. 6. Schalter des Arbeitsmodus:
Laubsauger/Laubbläser | <ol style="list-style-type: none"> 7. Halter für Laub-/Abfallsack. 8. Laub-/Abfallsack. 9. Hacken für die Montage des Laub-/Abfallsacks. 10. Räder. 11. Gebläsekopf. 12. Vorderrohr des Laubsaugers. 13. Mittelrohr des Laubsaugers. |
|---|---|

VORBEREITUNG FÜR DEN GEBRAUCH

Um das Gerät zusammenzusetzen befolgen Sie die folgenden Punkte (Abb.2)

1. Das Mittelrohr des Laubsaugers auspacken, das Rohr mit dem Gehäuse des Gerätes verbinden, so dass das Mantelrohr in die Montageöffnung passt.
2. Die dem Set beigelegten Schrauben (ST4.2 x 14) nutzen, um die Elemente zu verbinden, mithilfe eines Schraubenziehers verschrauben.
3. Das Vorderrohr montieren: das Vorderrohr in die Öffnung des Mittelrohrs einführen, dabei die dem Set beigelegten Schrauben (ST4.2 x 15) nutzen, um das Rohr zu befestigen.

Montage der Führungsräder (Abb.3)

1. Die Mutter (M5) in die sechseckige Öffnung des Rades einführen.
2. Die Räderachse in die Öffnung im Radträger einführen.
3. Die übrigen Räderachsen in die zweite Seite des Vorderrohrs einführen.
4. Die Schraube (M5*80) in die Öffnung für die Schraube im Rad montieren.
5. Die Schraube anhand des Schraubenziehers festziehen.

Montage des Gebläsekopfes (Abb. 4)

1. Das rechteckige Ende des Gebläsekopfes in das Ende des Vorderrohrs einführen.

Montage des Laub-/Abfallsacks (Abb. 5)

1. Den Einpressteil des Laub-/Abfallsacks in die Gerätbasis gemäß der Hilfsabbildung montieren.
2. Die Sackbefestigung auf den Montagehaken der Tasche gemäß der Hilfsabbildung einführen.

Montage des Schulterriemens (Abb. 6)

1. Die Schnalle des Schulterriemens mit dem Säulengriff am Hauptgehäuse gemäß der Hilfsabbildung verbinden.
2. Die Mutter der Schnalle festschrauben.
3. Die gewünschte Riemenlänge einstellen.

NUTZUNG DES GERÄTES

ACHTUNG: Vor der ersten Inbetriebnahme des Gerätes beachten Sie bitte die Warnhinweise am Anfang der Anleitung.

1. Den Schalter links auf die Position „ON“ stellen, um das Gerät einzuschalten (Abb. 7).
2. Gebläsemodus - den Schalter des Arbeitsmodus in die obere Position stellen, um den Gebläsemodus einzuschalten (Abb. 8 p. 1). Es sollte sich vergewissert werden, dass nach der Auswahl des Gebläsemodus der Laubsauger auf eine sichere Weise ausgerichtet ist und genutzt wird. Den Luftstrom aus dem Gebläse nicht direkt oder indirekt auf eine andere Person richten.
3. Saugmodus - den Schalter des Arbeitsmodus in die untere Position stellen, um den Ansaugmodus einzuschalten (Abb. 8 p.2). Nach Auswahl des Saugmodus wird die Luft samt Blättern und anderer Gartenabfälle durch ein großes Vakuumrohr eingezogen und durch den Rotor zum Mulchen beführt. Die Abfälle werden zerkleinert und anschließend in den Laub-/Abfallsack geblasen.

WICHTIG: Es sollte sich immer vergewissert werden, dass der Beutel korrekt montiert ist, gemäß dem Abschnitt „Montage des Laub-/Abfallsacks“ in dieser Anleitung.

Achten Sie immer darauf, was in das Gebläse/ Vakuumrohr eingesogen wird. Dieses Produkt ist nur zur Beseitigung von Gartenabfällen bestimmt, wie Blätter, Zweige und Setzlinge.

4. Entleerung des den Laub-/Abfallsacks – der Sack ist am Gebläserohr und dem Gehäuse an 2 Stellen montiert. Es ist nicht nötig den Sack vom Gerät zu lösen, um sie zu entleeren. Der hintere Teil des Sacks ist mit einem Reißverschluss auf seiner gesamten Länge ausgestattet. Den Reißverschluss einfach öffnen und den Inhalt entleeren. Vor Inbetriebnahme des Gerätes den Reißverschluss schließen.

Empfehlungen:

Die untenstehenden Punkte können bei der Bedienung des Laubsaugers GVB41 hilfreich sein

- Feuchtes Material kann schwierig zu zerkleinern sein und kann außerdem zum Verstopfen des Gerätes sowie des Zerkleinerers führen.
- Wenn die Blätter usw. feucht sind, den Laubsauger im Gebläsemodus nutzen, um die Blätter usw. an einem Ort zu sammeln, damit sie später aufgesaugt und nach dem Austrocknen zerkleinert werden können.
- Der Laubsauger ist kein Gerät zur Beseitigung von Abfällen. Versuchen Sie nicht, anderes Material als allgemeine Gärtenabfälle zu mulchen.
- Vermeiden Sie den Laubsauger an Orten zu nutzen, wo sich Steine und andere harte Gegenstände befinden. Diese Gegenstände beschädigen den Gebläserotor des Laubsaugers.
- Um eine bessere Leistung und höheren Komfort zu erreichen, wird empfohlen den Sammelsack zu entleeren, wenn dieser bis zur Hälfte gefüllt ist. Dies verringert sein Gewicht und ermöglicht gleichzeitig die Arbeit des Laubsaugers auf dem höchsten Niveau.
- Es wird ebenso empfohlen, keine Erde mit dem Gerät aufzunehmen. Erde beinhaltet Feuchtigkeit und in Verbindung mit den Gartenabfällen kann das Gebläse des Laubsaugers verstopfen.

REINIGUNG UND WARTUNG

Das Gerät mit einem feuchten Tuch reinigen. Keine Reinigungsmittel mit Lösungsmittel verwenden. Das Gerät nicht in Wasser eintauchen. Das Gerät nicht mit Wasser aus einem Schlauch oder Wasserstrom unter Druck reinigen. Vor Reinigungsbeginn das Gerät ausschalten.

Technische Daten:

- Leistung 3500 W
- 3 in 1 - Gebläse, Staubsaugen und Mulchen
- Leichtbau
- Beutelkapazität 45 l
- 10:1 Mulchverhältnis
- Luftgeschwindigkeit im Blasmodus bis zu 270 km/h
- Effizienz im Vakuummodus: 573 m³/h
- Wirkungsgrad im Gebläsebetrieb: 306 m³/h
- Drehzahl: 6000 - 14000 U/min
- 6-stufige Drehzahlregelung
- Kabel: 0,3 m
- LPA: 95 dB(A), KpA: 3 dB(A)
- LWA: 107 dB(A)
- Vibration: 4,95 m/s²
- Stromversorgung: 230-240 V ~ 50/60 Hz
- Abmessungen: 125,5 x 25 x 18 cm
- Gewicht: 3,2 kg

Gwarancja PRIME3 (dotyczy produktów zakupionych od 01.12.2017)

Szanowni Państwo,

dziękujemy za zakup produktu marki PRIME3 i gratulujemy wyboru. 2N-Everpol Sp. z o.o., 02-801 Warszawa, Puławska 403a (zwany w dalszej części dokumentu PRIME3) niniejszym gwarantuje, że produkt jest wolny od wad materiałowych i produkcyjnych w warunkach normalnego użytkowania i konserwacji.

1. Gwarancja na niniejszy produkt wynosi 24 miesiące od daty zakupu, z tym zastrzeżeniem, że gwarancja na baterię znajdującą się w produkcie wynosi 6 miesięcy od daty zakupu. Warunkiem skorzystania z uprawnień gwarancyjnych jest zachowanie dowodu zakupu.
2. Niniejsza gwarancja obowiązuje wyłącznie w odniesieniu do produktów zakupionych na terytorium Rzeczypospolitej Polskiej.
3. Opisane usterki produktu zostaną bezpłatnie usunięte na podstawie zaakceptowanej gwarancji poprzez PRIME3 lub autoryzowany serwis gwarancyjny. Wykonanie obowiązków gwarancyjnych nastąpi w terminie 21 dni od dnia dostarczenia produktu do serwisu.
4. PRIME3 lub autoryzowany serwis zastrzegają sobie prawo do swobodnego decydowania, czy jako alternatywa do naprawy produktu nie nastąpi jego wymiana. Może to być również produkt równoważny. PRIME3 lub autoryzowany serwis nie ponoszą odpowiedzialności za możliwe niezgodności wynikające z różnicy produktów.
5. Prawo do naprawy gwarancyjnej może być dochodzone wyłącznie po dostarczeniu uszkodzonego produktu do serwisu.
6. PRIME3 lub autoryzowany serwis nie ponosi odpowiedzialności za jakiegokolwiek bezpośrednie lub pośrednie straty np. zysków, wynikające z wady lub usterki produktu.
7. PRIME3 lub autoryzowany serwis nie ponosi odpowiedzialności za utratę danych spowodowaną nieprawidłowym działaniem produktu.
8. PRIME3 lub autoryzowany serwis zastrzegają sobie prawo do odmowy naprawy produktu w okresie gwarancyjnym, jeśli numer seryjny produktu został usunięty, zmieniony lub jest nieczytelny.
9. Gwarancja nie obejmuje zarysowań lub przebarwień. Ponadto, gwarancja wygasa w całości z powodu szkód spowodowanych przez: niewłaściwe/niedbałe obchodzenie się z produktem, nieprzestrzeganie instrukcji obsługi, użycie niezgodnie z przeznaczeniem, naprawy/zmiany lub konserwację, które nie były wykonywane przez autoryzowany serwis, uszkodzone wyposażenie, niewłaściwe akcesoria, nieprawidłowe podłączenie, niewłaściwy montaż, nieprawidłową instalację oprogramowania, niewłaściwe przechowywanie (w skrajnych temperaturach lub wilgotności), dostanie się wody, piasku, kurzu itp. do produktu, siły wyższe, takie jak błyskawica/przebiecia/ogień.
10. Gwarancja nie obejmuje: czyszczenia produktu, serwisu na życzenie Klienta, aktualizacji oprogramowania, które jest oferowane Państwu do pobrania z naszej strony internetowej.
11. Wszystkie części, które zostały zastąpione lub wymienione w trakcie naprawy, stają się własnością firmy PRIME3.
12. PRIME3 lub autoryzowany serwis powszechnie używają fabrycznie nowych części, jednak zastrzegają sobie prawo do wykorzystania części odnowionych lub naprawianych.
13. Naprawa i serwis produktu przez autoryzowany serwis odbywa się zgodnie ze specyfikacjami firmy PRIME3.
14. Podczas dostarczenia do serwisu, uszkodzony produkt musi zostać dobrze zapakowany/zabezpieczony w oryginalnym opakowaniu w celu ochrony przed dalszymi uszkodzeniami podczas transportu. PRIME3 lub autoryzowany serwis nie ponosi odpowiedzialności za jakiegokolwiek szkody, które mogą powstać w trakcie przesyłki do serwisu w wyniku nieodpowiedniego zabezpieczenia produktu. PRIME3 lub autoryzowany serwis nie ponosi odpowiedzialności za utratę mienia podczas przesyłki do serwisu.
15. PRIME3 lub autoryzowany serwis nie zapewnią Klientowi produktów zastępczych na czas naprawy.
16. Niniejsza gwarancja udzielana jest wyłącznie konsumentom, to jest osobom fizycznym nabywającym produkt na podstawie czynności prawnej niezwiązanej bezpośrednio z ich działalnością gospodarczą lub zawodową.
17. Do reklamowanego na zasadach niniejszej gwarancji produktu musi zostać dołączony oryginalny dowód zakupu oraz szczegółowy opis usterki.
18. Niniejsza gwarancja, nie ogranicza ani nie zawiesza uprawnień kupującego wynikających z przepisów o rękojmi za wady rzeczy sprzedanej.

Celem realizacji niniejszej gwarancji należy skontaktować się bezpośrednio ze sprzedawcą, od którego zakupiono niniejszy produkt; będzie on Państwa przedstawicielem w okresie gwarancyjnym. Dodatkowe informacje można również znaleźć na naszej stronie internetowej. Ponadto, uszkodzony produkt można wysłać bezpośrednio do serwisu: 2N-Everpol Sp. z o.o.

ul. Puławska 12, 05-532 Baniocha, tel. 22 331 99 53

info@prime3.pl, www.prime3.pl

WAŻNE INFORMACJE

Aby osiągnąć najwyższą satysfakcję, cieszyć się wydajnością produktu i poznać jego wszystkie cechy i funkcje, prosimy o przeczytanie niniejszej instrukcji przed przystąpieniem do korzystania z tego produktu. Przed rozpoczęciem użytkowania urządzenia przeczytać instrukcję obsługi i postępować według wskazówek w niej zawartych. Producent nie odpowiada za szkody spowodowane użytkowaniem urządzenia niezgodnie z jego przeznaczeniem lub niewłaściwą jego obsługą. Instrukcję obsługi należy zachować, aby można było korzystać z niej również w trakcie późniejszego użytkowania wyrobu.

- Urządzenie służy wyłącznie do użytku zewnętrznego. Nie używać do innych celów, niezgodnych z jego przeznaczeniem.
- Urządzenie należy podłączyć wyłącznie do gniazdka z uziemieniem o charakterystyce zgodnej z wartościami na tabliczce znamionowej.
- Należy sprawdzić, czy całkowity pobór prądu wszystkich urządzeń podłączonych do gniazdka ściennego nie przekracza maksymalnego obciążenia bezpiecznika.
- Jeżeli wykorzystywany jest przedłużacz, należy sprawdzić, czy łączny pobór mocy sprzętu podłączonego do przedłużacza, nie przekracza parametrów obciążenia przedłużacza. Przewód przedłużacza należy ułożyć w taki sposób by uniknąć przypadkowych pociągnięć i potknięcia się o niego. Upewnij się, że przedłużacz jest z uziemieniem, 3-żyłowy z gniazdkiem z bolcem uziemiającym.
- Urządzenie nie jest przeznaczone do sterowania za pomocą zewnętrznego wyłącznika czasowego, osobnego pilota lub innego sprzętu, który może włączać urządzenie automatycznie.
- Przed pracami konserwacyjnymi należy zawsze bezwzględnie odłączyć urządzenie od zasilania. Odłączając kabel zasilający należy zawsze wyciągać go z gniazdka trzymając za wtyczkę. Nigdy nie należy wyciągać przewodu zasilającego ciągnąc za kabel, ponieważ uszkodzeniu może ulec wtyczka lub kabel, w skrajnym wypadku może dojść nawet do śmiertelnego porażenia prądem.
- Nie wolno pozostawiać włączonego urządzenia do gniazdka bez nadzoru.

- Nie zanurzaj urządzenia w wodzie lub żadnym innym płynie.
- Urządzenie powinno być regularnie czyszczone według zaleceń opisanych w części o Czyszczeniu i konserwacji urządzenia.
- Nie umieszczaj urządzenia blisko źródeł ciepła, płomieni, elektrycznego elementu grzewczego lub na gorącym piekarniku. Nie umieszczaj na żadnym innym urządzeniu.
- Niniejszy sprzęt może być użytkowany przez dzieci w wieku co najmniej 8 lat i przez osoby o obniżonych możliwościach fizycznych, umysłowych i osoby o braku doświadczenia i znajomości sprzętu, jeżeli zapewniony zostanie nadzór lub instruktaż odnośnie do użytkowania sprzętu w bezpieczny sposób, tak aby związane z tym zagrożenia były zrozumiałe. Dzieci nie powinny bawić się sprzętem.
- Dzieci bez nadzoru nie powinny wykonywać czyszczenia i konserwacji sprzętu.
- Należy zachować szczególną ostrożność podczas korzystania z urządzenia, gdy w pobliżu przebywają dzieci lub zwierzęta domowe.
- Nie należy dopuszczać dzieci do zabawy urządzeniem.
- Nie korzystaj z urządzenia w pobliżu materiałów łatwopalnych.
- Nie wystawiaj urządzenia na działanie warunków atmosferycznych (deszczu, słońca, etc.) ani nie używaj w warunkach podwyższonej wilgotności (łazienki, wilgotne domki kempingowe).
- Okresowo sprawdzaj stan przewodu zasilającego. Jeżeli przewód zasilający nieodłączalny ulegnie uszkodzeniu, to powinien on być wymieniony u wytwórcy lub w specjalistycznym zakładzie naprawczym albo przez wykwalifikowaną osobę w celu uniknięcia zagrożenia.
- Nie używaj urządzenia z uszkodzonym przewodem zasilającym, wtyczką lub jeśli zostało upuszczone lub uszkodzone w jakikolwiek inny sposób lub nieprawidłowo pracuje. Nie naprawiaj urządzenia samodzielnie, gdyż grozi to porażeniem. Uszkodzone urządzenie oddaj do właściwego punktu serwisowego w celu sprawdzenia lub

dokonania naprawy. Wszelkich napraw mogą dokonywać wyłącznie uprawnione punkty serwisowe. Nieprawidłowo wykonana naprawa może spowodować poważne zagrożenie dla użytkownika.

- Używaj tylko oryginalnych akcesoriów do urządzenia lub rekomendowanych przez producenta. Używanie akcesoriów nierekomendowanych przez producenta może doprowadzić do uszkodzenia urządzenia oraz zagrozić bezpieczeństwu użytkownika.
- Dbaj o porządek i dobre oświetlenie w miejscu pracy.
- Nieporządek i niewystarczające oświetlenie prowadzą do wypadków.
- Nie używaj elektronarzędzi w przestrzeniach zagrożonych wybuchem, tj. w obecności łatwopalnych cieczy, gazów lub pyłów.
- Chwila nieuwagi grozi utratą panowania nad narzędziem.
- Jeżeli istnieje możliwość zamontowania elektronarzędzi do odprowadzania lub zbierania pyłu, sprawdź, czy zostały one zamocowane i działają prawidłowo. Używanie takich elektronarzędzi zmniejsza zagrożenie stwarzane przez obecność kurzu.
- Nie wychylaj się z elektronarzędziem zbyt daleko. Utrzymuj stabilną postawę i równowagę. Dzięki temu zachowasz lepszą kontrolę nad elektronarzędziem w nieprzewidzianych sytuacjach.
- Unikaj niezamierzonego uruchomienia elektronarzędzia. Przed podłączeniem elektronarzędzia do sieci elektrycznej sprawdź, czy wyłącznik zasilania znajduje się w położeniu wyłączonym (OFF). Przenoszenie elektronarzędzia z palcem na spuście lub podłączanie elektronarzędzia do sieci już po włączeniu może prowadzić do wypadków.
- Zakładaj odpowiednią odzież. Nie pracuj w luźnym ubraniu i nie noś biżuterii podczas pracy. Włosy, odzież i rękawice trzymać z dala od ruchomych części. Ruchome części elektronarzędzia mogą pochwycić i wciągnąć luźne części odzieży, biżuterię lub długie włosy.
- Przed uruchomieniem elektronarzędzia wyjmij z niego wszystkie klucze lub narzędzia. Narzędzie lub klucz nadal połączony z częścią obrotową elektronarzędzia może spowodować obrażenia ciała.

- Trzymaj dzieci z dala od miejsca wykonywania pracy i NIE pozwalaj dzieciom na pociąganie za kabel zasilający – może to spowodować poważne obrażenia.
- Nie używaj innych elektronarzędzi o dużej mocy podłączonych do tego samego obwodu, aby zapobiec jego przeciążeniu.
- Zawsze umieszczaj i używaj elektronarzędzia na stabilnej, równej i poziomej powierzchni.
- Przed dokonaniem jakichkolwiek regulacji, wymianą akcesoriów lub odstawieniem elektronarzędzia do przechowania przestaw wyłącznik do położenia wyłączenia, aby odłączyć elektronarzędzie od zasilania. Takie działania zapobiegawcze zmniejszają ryzyko przypadkowego uruchomienia elektronarzędzia.
- Przed każdym użyciem sprawdzić obudowę pod kątem uszkodzeń.
- Upewnij się, że otwory wentylacyjne są wolne od osadów.
- Przedmioty mogą być przedmuchiwane przez strumień powietrza na znaczną odległość. Przed użyciem należy dokładnie sprawdzić miejsce pracy pod kątem obecności ew. elementów, takich jak kamienie, stłuczone szkło, gwoździe, drut lub włókna.
- Ryzyko obrażeń na skutek wyrzuczonego materiału. Nie używać urządzenia na żwirze. Obsługiwać urządzenie tylko na twardej, poziomej powierzchni i w zalecanej pozycji.
- Poważne obrażenia spowodowane obracającymi się łopatkami wirnika. Trzymać części ciała z dala od obracających się części. Wyłączyć silnik i poczekać, aż ostrza przestaną się obracać, przed otwarciem obudowy odkurzacza, podłączeniem / wymianą rur lub otwarciem lub wyjęciem worka.
- Nawet jeśli urządzenie jest używane zgodnie z zaleceniami, pewne ryzyko resztkowe pozostaje. Podczas użytkowania sprzętu mogą wystąpić następujące zagrożenia:
- Wibracje mogą powodować obrażenia ciała. Do każdego zadania należy używać odpowiednich narzędzi, dołączonych uchwytów oraz stosować najniższą prędkość wymaganą do wykonania pracy.

- **Hałas może spowodować uszkodzenie słuchu. Nosić ochraniacze słuchu aby ograniczyć ryzyko.**
- **Urazy spowodowane wyrzucaniem przedmiotów, które mogą wylecieć z rury wydmuchowej z powodu ciśnienia powietrza, jeśli worek nie zostanie odpowiednio zamocowany lub uszkodzony.**
- **Z urządzenia można korzystać wyłącznie w suchym, dobrze oświetlonym otoczeniu.**
- **Urządzenie jest przeznaczone do wydmuchiwania i zasysania lekkich zanieczyszczeń, takich jak liście, trawa i inne odpady ogrodowe.**



Urządzenie jest zgodne z wymogami dyrektyw Unii Europejskiej: - Urządzenia elektryczne niskonapięciowe - Low voltage directive (LVD) - Kompatybilność elektromagnetyczna - Electromagnetic compatibility (EMC) Wyrób oznaczony CE na tabliczce znamionowej



Jeśli na urządzeniu znajduje się znak przekreślonego kosza na śmieci, oznacza to, że produkt jest objęty postanowieniami dyrektywy europejskiej 2002/96/WE. Należy zapoznać się z wymaganiami dotyczącymi lokalnego systemu zbiórki odpadów elektrycznych i elektronicznych. Należy postępować zgodnie z lokalnymi przepisami. Nie wolno wyrzucać tego produktu razem ze zwykłymi odpadami domowymi. Prawidłowe usunięcie starego produktu zapobiegnie potencjalnym negatywnym skutkom dla środowiska naturalnego i zdrowia ludzkiego. Szczegółowe informacje o najbliższym punkcie zbiórki można uzyskać bezpośrednio od sprzedawcy lub w firmie 2N-Everpol Sp. z o.o., ul. Puławska 403A, 02-801 Warszawa, tel. + 48 22 331 9959, email: info@prime3.pl

Informacje o ochronie środowiska naturalnego










Opakowanie zawiera tylko niezbędne elementy. Dołożono wszelkich starań, aby trzy materiały składowe opakowania były łatwe do oddzielenia: karton (pudełko), pianka polistyrenowa (zabezpieczenia wewnątrz) i polietylen (torebki, arkusz ochronny). Urządzenie wyprodukowano z materiałów, które można poddać recyklingowi i użyć ponownie po ich demontażu przez wyspecjalizowaną firmę. Należy przestrzegać lokalnych przepisów dotyczących utylizacji materiałów opakowaniowych, zużytych baterii i niepotrzebnych urządzeń.



Produkt został wyprodukowany z wysokiej jakości materiałów i podzespołów, które można poddać recyklingowi i ponownie użyć.

STOSOWAĆ ŚRODKI OCHRONY OSOBISTEJ

- Stosuj okulary ochronne zgodnie z normą EN166
- Stosuj maski ochronne zgodnie z normą EN149
- Stosuj inne precyzyjne środki ochrony indywidualnej, w zależności od rodzaju wykonywanej pracy.

Symbole na urządzeniu			
	Przed uruchomieniem należy dokładnie przeczytać instrukcję obsługi i wszystkie zasady bezpieczeństwa.		Tryb dmuchawy.
	W trakcie eksploatacji urządzenia należy nosić odpowiednią ochronę oczu i uszu.		Niebezpieczeństwo powodowane przez przedmioty wyrzucane z dużą siłą. Osoby postronne powinny trzymać się z dala od obszaru roboczego.
	Nie wystawiać urządzenia na działanie deszczu lub wilgoci.		Obracające się wirniki wentylatora.
	Gwarantowany poziom ciśnienia akustycznego podany na etykiecie wynosi 107 dB.		Podczas pracy urządzenia trzymać ręce i stopy z dala od otworów.
	Tryb ssania.		

Opis urządzenia (Rys.1)

1. Uchwyt do montażu paska na ramię.
2. Regulacja prędkości.
3. Włącznik.
4. Przewód zasilający.
5. Etykieta ostrzegawcza.
6. Przełącznik trybu pracy: odkurzacz/dmuchawa
7. Uchwyt torby na liście/odpady.
8. Torba na liście/odpady.
9. Haczyk do montażu torby.
10. Kółka.
11. Głowica odkurzacza.
12. Przednia rura odkurzacza.
13. Środkowa rura odkurzacza.

PRZYGOTOWANIE DO UŻYTKOWANIA**Należy postępować zgodnie z poniższymi punktami aby złożyć urządzenie (Rys.2):**

1. Wypakuj środkową część rury odkurzacza, połącz rurę z korpusem urządzenia, tak aby spasować otwór montażowy z tym w środkowej rurze.
2. Użyj dołączonych do zestawu wkrętów (ST4.2x14) aby połączyć elementy, przykręć ją za pomocą śrubokrętu (1.2 Nm.).
3. Zamontuj przednią rurę: włóż przednią rurę od otworu w środkowej rurze, tak aby elementy.

Montaż kółek prowadzących (Rys.3)

1. Włóż nakrętkę (M5) do sześciokątnego otworu koła.
2. Włóż osie kół do otworu we wsporniku kół.
3. Włóż pozostałe osie kół do drugiej strony przedniej rury.
4. Umieść śrubę (M5*80) w otworze na śrubę w kole.
5. Mocno dokręć śrubę za pomocą wkrętaka.

Montaż głowicy dmuchawy (Rys. 4)

1. Umieść prostokątny koniec głowicy dmuchawy na końcu przedniej rury.

Montaż torby na liście/odpady (Rys. 5)

1. Przymocuj wciskany element torby na liście do bazy urządzenia, postępując zgodnie z rysunkiem pomocniczym.
2. Umieść zaczep torby na haczyku do montażu torby, postępując zgodnie z rysunkiem pomocniczym.

Montaż paska na ramię (Rys. 6)

1. Połącz zatrzask paska na ramię z uchwytem kolumny w obudowie głównej, zgodnie z rysunkiem pomocniczym.
2. Mocno dokręć nakrętkę zatrzasku.
3. Ustaw preferowaną długość paska.

UŻYTKOWANIE URZĄDZENIA**UWAGA: Przed pierwszym uruchomieniem urządzenia zapoznaj się z punktami ostrzegawczymi na początku instrukcji.**

1. Przesuń włącznik w lewo do pozycji „ON” aby uruchomić urządzenie (Rys. 7).
2. Tryb dmuchawy- przesunąć przełącznik trybu pracy do górnej pozycji, aby uruchomić tryb dmuchawy (Rys. 8 p. 1). Upewnij się, że po wybraniu trybu dmuchawy odkurzacz jest skierowany i używany w bezpieczny sposób. Nie kieruj strumienia powietrza z dmuchawy bezpośrednio lub pośrednio na inną osobę.
3. Tryb odkurzacza- przesunąć przełącznik trybu pracy do dolnej pozycji, aby uruchomić tryb odkurzacza/ssawy (Rys 8 p.2). Po wybraniu trybu odkurzacza powietrze wraz z liśćmi oraz innymi odpadami ogrodowymi są wciągane przez dużą rurę próżniową i przepychane przez wirnik do mulczowania. Odpady są rozdrabniane, a następnie wdmuchiwane do torby na liście/odpady.

WAŻNE: Zawsze upewnij się, że worek jest prawidłowo zamocowany, zgodnie z rozdziałem „Montaż torby na liście/odpady” w niniejszej instrukcji.

Zawsze zwracaj uwagę na to, co jest wciągane do dmuchawy/przewodu próżniowego. Ten produkt jest przeznaczony wyłącznie do usuwania resztek ogrodowych, takich jak liście, gałązki i sadzonki ogrodowe.

4. Opróżnianie torby na liście/odpady- torba jest przymocowana do rury dmuchawy i obudowy w 2 miejscach. Nie ma potrzeby odpinania torby od urządzenia, aby ją opróżnić. Tył torby jest wyposażony w zamek błyskawiczny na całej długości. Po prostu otwórz zamek i opróżnij zawartość. Przed uruchomieniem urządzenia należy zapisać zamek błyskawiczny.

Zalecenia:

Poniższe punkty mogą pomóc w obsłudze odkurzacza do liści GVB41

- Wilgotne materiały trudno rozdrabniać, a ponadto mogą powodować zapychanie się urządzenia oraz rozdrabniacza.
- Jeśli liście itp. są wilgotne, użyj odkurzacza w trybie wyboru dmuchawy, aby ułożyć liście itp. w jednym miejscu, a następnie odkurzyć je oraz rozdrobnić po wyschnięciu.
- Odkurzacze do liści nie jest urządzeniem do usuwania śmieci. Nie próbuj mulczować żadnego materiału poza ogólnymi szczątkami ogrodowymi.
- Unikaj używania odkurzacza w miejscach, gdzie znajdują się kamienie lub inne twarde przedmioty. Przedmioty te uszkodzą wirnik dmuchawy odkurzacza.
- W celu uzyskania lepszej wydajności i komfortu zaleca się opróżnianie torby zbiorczej, gdy jest w przybliżeniu napełniona do połowy. Zmniejsza to wagę, a także umożliwia działanie odkurzacza na najwyższym poziomie.
- Zaleca się również, aby dmuchawa nie zbierała ziemi. Gleba na ogół zawiera wilgoć, a w połączeniu z innymi resztkami ogrodowymi może zatkać odkurzacze dmuchawy.

CZYSZCZENIE I KONSERWACJA

Czyścić urządzenie wilgotną ściereczką. Nie stosować środków czyszczących zawierających rozpuszczalniki. Nie zanurzać urządzenia w wodzie. Nie czyścić urządzenia wodą z węża ani strumieniem wody pod ciśnieniem. Wyłączyć urządzenie przed rozpoczęciem czyszczenia.

Dane techniczne:

- Moc: 3500 W
- 3 w 1 - dmuchawa, odkurzacze oraz rozdrabniacz
- Lekka konstrukcja
- Pojemność torby 45 l
- 10:1 współczynnik mulczowania
- Prędkość powietrza w trybie dmuchawy do 270 km/h
- Wydajność w trybie ssawy: 573 m³/h
- Wydajność w trybie dmuchawy: 306 m³/h
- Prędkość: 6000 - 14000 obr./min
- 6-stopniowa kontrola prędkości
- Przewód: 0,3 m
- LPA: 95 dB(A), KpA: 3 dB(A)
- LWA: 107 dB(A)
- Wibracje: 4,95 m/s²
- Zasilanie: 230-240 V~ 50/60 Hz
- Wymiary: 125,5 x 25 x 18 cm
- Waga: 3,2 kg

WE- DEKLARACJA ZGODNOSCI

01/2022/GVB41
2N-Everpol Sp. z o.o.
ul. Puławska 403A
02-801 Warszawa
Poland

PRIME³

Dane rejestrowe:
Puławska 403A
02-801 Warszawa, Polska

Adres korespondencyjny:
Polna 6
05-500 Chyliczki, Polska
Telefon +48 22 331 99 59
Fax +48 22 331 99 50

Numer konta
IBAN: PL 97 1160 2202 0000 0000
9062 2569
SWIFT: BIGBPLPW
Bank Millennium S.A

Osoba upoważniona do przygotowania dokumentacji technicznej:

Tomasz Jakóbczyk
ul. Puławska 403A
02-801 Warszawa

Deklarujemy, na naszą wyłączną odpowiedzialność, że produkt:

Typ urządzenia: **Odkurzacz do liści**

Symbol: **GVB41**

Jeżeli jest stosowany zgodnie z przeznaczeniem, spełnia zasadnicze wymogi w zakresie poniższych dyrektyw:

2006/42/WE (+2009/127/WE)

2014/30/UE

2000/14/WE (+2005/88/WE)

2011/65/WE (Dyrektywa RoHS) oraz załącznik II do dyrektywy zmieniającej

2015/863/UE

WE 1907/2006 (Dyrektywa REACH)

Ocena tego produktu została oparta na następujących normach:

Normy EMC:

EN IEC 61000-3-2:2019

EN 61000-3-3:2013+A1:2019

EN 55014-1:2017+A11:2020

EN IEC 55014-2:2021

Normy LVD:

EN 60335-

1:2012+AC:2014+A11:2014+A13:2017+A1:2019+A2:2019+A14:2019+A15:2021

EN 62233:2008

EN 50636-2-100:2014

Normy MD:

EN ISO 12100:2010

Zastosowana metoda oceny zgodności:

2000/14/WE i zmieniona przez 2005/88/WE

załącznik V

Norma RoHS:

EN IEC 63000:2018

Poziom mocy akustycznej dB(A)

Zmierzony poziom mocy akustycznej (LPA): 95dB(A), KpA: 3,0 dB(A)

Gwarantowany poziom mocy akustycznej (LWA): 107dB(A)

Warszawa, 25.02.2022

PREZES Zarządu
Tomasz Jakóbczyk
Prezident



2N-Everpol Sp. z o.o.
ul. Puławska 403A
02-801 Warsaw, Poland
phone: +48 22 331 99 59
e-mail: info@prime3.pl
www.prime3.pl

W przypadku pytań lub problemów
prosimy o kontakt z naszym serwisem.
In case of questions or problems
please contact our service.
Tel. 00 48 22 331 99 54
E-mail: info@prime3.pl

Wszelkie prawa zastrzeżone. Wszystkie nazwy marek są zarejestrowanymi
znakami towarowymi należącymi do odpowiednich podmiotów.
Dane i parametry techniczne mogą ulec zmianie bez wcześniejszego uprzedzenia.

All rights reserved. All brand names are registered trademarks of their
respective owners. Specifications are subject to change without prior notice.