

PRIME³

APS61



Owner's manual
Bedienungsanleitung
Instrukcja obsługi

Professional Audio System with Bluetooth and karaoke
Party-lautsprecher mit Bluetooth und Karaoke -Funktion
System audio z Bluetooth i karaoke

IMPORTANT SAFETY INSTRUCTIONS

Model: APS61, Party speaker with Bluetooth and karaoke



The marking plate is located at the bottom of the apparatus.

Caution:

To reduce the risk of electric shock, do not remove cover (or back). No user serviceable parts inside. Refer servicing to qualified service personnel.

Explanation of Graphical Symbols:

This lightning flash with arrowhead symbol within an equilateral triangle is intended to alert the user to the presence of uninsulated dangerous voltage within the product's enclosure that may be of sufficient magnitude to constitute a risk of electric shock to persons.



The exclamation point within an equilateral triangle is intended to alert you to the presence of important operating and maintenance (servicing) instructions in the literature accompanying the product.

To achieve the utmost in enjoyment and performance, and in order to become familiar with its features, please read this manual carefully before attempting to operate this product. This will assure you years of trouble free performance and listening pleasure.

Important Notes

- This safety and operating instruction should be retained for future reference.
 - The apparatus should not be exposed to dripping or splashing or placed in a humid atmosphere such as a bathroom.
 - Do not install the product in the following areas:
 - Places exposed to direct sunlight or close to radiators.
 - On top of other stereo equipment that radiate too much heat.
 - Blocking ventilation or in a dusty area.
 - Areas where there is constant vibration.
 - Humid or moist places.
 - Do not place near candles or other naked flames.
 - Operate the product only as instructed in this manual.
 - Before turning on the power for the first time, make sure the power adaptor is properly connected.
 - Plug-in the USB stick directly or use an USB-extension cable which is not longer than 25 cm.
 - For safety reasons, do not remove any covers or attempt to gain access to the inside of the product. Refer any servicing to qualified personnel.
- Do not attempt to remove any screws, or open the casing of the unit; there are no user serviceable parts inside. Refer all servicing to qualified service personnel.

SAFETY INSTRUCTIONS

- 1. Read Instructions** - All the safety and operating instructions must be read before the product is operated.
- 2. Retain Instructions** - The safety and operating instructions should be kept with the product for future reference.
- 3. Heed warnings** - All warnings on the product and in the operating instructions should be adhered to.
- 4. Follow instructions** - All operating and users instructions should be followed.
- 5. Installation** - Install in accordance with the manufacturer's instructions.
- 6. Power sources** - This product should be operated only from the type of power source indicated by the marking adjacent to the power cord entry. If you are not sure of the type of power supply to your home, consult your product dealer or local power company.
- 7. Grounding or polarization** - the product is not required to be grounded. Ensure that the plug is fully inserted into the wall outlet or extension cord receptacle to prevent blade or pin exposure. Some versions of the product are equipped with a power cord fitted with a polarized alternating line plug (a plug having one blade wider than the other). This plug will fit onto the power outlet only one way. This is a safety feature. If you are unable to insert the plug fully into the outlet, try reversing the plug. If the plug should still fail to fit, contact your electrician to replace your obsolete outlet. Do not defeat the safety purpose of the polarized plug. When using an extension power-supply cord or a power-supply cord other than that supplied with the appliance, it should be fitted with the appropriate molded plugs and carry safety approval appropriate to the country of use.
- 8. Power cord protection** - Power-supply cords should be routed so that they are not likely to be walked on, kinked or pinched by items placed on or against them, paying particular attention to cords from plugs, receptacles and the point where they exit from the product.
- 9. Overloading** - Do not overload wall outlets, extension cords, or multiple sockets, as this can result in a risk of fire or electric shock.
- 10. Ventilation** - The product must be properly ventilated. Do not place the product on a bed, sofa, or other similar surface. Do not cover the product with any items such as tablecloths, newspapers, etc.
- 11. Heat** - The product should be situated away from heat sources such as radiators, heat registers, stoves, or other products, including amplifiers that produce heat. No naked flame sources, such as lighted candles, should be placed on the apparatus.
- 12. Water and moisture** - To reduce the risk of fire or electric shock, do not expose the product to rain, dripping, splashing or excessive moisture such as in a sauna or bathroom. Do not use this product near water, for example, near a bathtub, washbowl, kitchen sink, laundry tub, in a wet basement or near a swimming pool (or similar).
- 13. Object and liquid entry** - Never push objects of any kind into this product through openings, as they may touch dangerous voltage points or short-circuit parts that could result in a fire or electric shock. Never spill liquid of any kind on the product. Do not place any object containing liquid on top of the product.
- 14. Cleaning** - Unplug the product from the wall outlet before cleaning. Dust in the woofer may be cleaned with a dry cloth. If you wish to use an aerosol cleaning spray, do not spray directly on the cabinet; spray onto the cloth. Be careful not to damage the drive units.
- 15. Attachments** - Do not use attachments not recommended by the product manufacturer, as they may cause hazards.
- 16. Accessories** - Do not place this product on an unstable cart, stand, tripod, bracket or table. The product may fall, causing serious injury to a child or adult, and serious damage to the product. Use only with a cart, stand, tripod, bracket or table recommended by the manufacturer or sold with the product. Any mounting of the product should follow the manufacturers instructions and should use a mounting accessory recommended by the manufacturer.
- 17. Moving the product** - A product and cart combination should be moved with care. Quick stops, excessive force and uneven surfaces may cause the product and cart combination to overturn.
- 18. Unused periods** - The power cord of the appliance should be unplugged from the outlet during lightning storms or when the apparatus is left unused for a long period of time.

- 19. Servicing** - Do not attempt to service this product yourself, as opening or removing covers may expose you to dangerous voltage or other hazards. Refer all servicing to qualified service personnel.
- 20.** Please remove the power plug from the main power source or wall power source when not in use. When plugged in to a power source, the system is in standby mode, so the power is not entirely cut off.
- 21. Replacement parts** - When replacement parts are required, ensure that the service technician has used replacement parts specified by the manufacturer or have the same characteristics as the original part. Unauthorized substitutions may result in fire, electric shock or other hazards.
- 22. Mains fuses** - For continued protection against fire hazard, use fuses only of the correct type and rating.
- 23.** Do not turn up the volume while listening to a section with very low level inputs or no audio signals. If you do, the boombox may be damaged when a peak level section is suddenly played.
- 24.** The only means of completely disconnecting the product from the power supply is by removing the power cord from the wall outlet or the product. The wall outlet or the power cord entry to the product must remain freely accessible at all times while the product is in use.
- 25.** Try to install the product near a wall socket or extension cord and shall be easily accessible.
- 26.** The highest environmental temperature suitable for this product is 35°C.
- 27. ESD hints** - If the product maybe reset or not reset to operation of control due to electrostatic discharge, just switch off and reconnect again, or move the product to another location.
- 28. Battery**
- 1). The batteries must not be exposed to excessive heat such as sunshine, fire or the like.
 - 2). The batteries should be drawn to the environmental aspects of battery disposal.
 - 3). Battery usage CAUTION-to prevent battery leakage which may result in body injuries, property damage, or damage to the apparatus:
 - Install all batteries correctly, + and - as marked on the apparatus.
 - Do not mix batteries (old and new or carbon and alkaline, etc.)
 - Remove batteries when the unit is not used for a long time.

ERP2 (Energy Related Products) note

This product with ecodesign complies with the stage 2 requirements of Commission Regulation (EC) NO. 1275/2008 implementing Directive 2009/125/EC regard to standby and off mode electric power consumption of electronic household and office equipment.

After 60 minutes without any audio input, the device will automatically switch into standby mode. Follow up the instruction manual to resume the operation.

Important note:

This device is equipped with an energy saving mode: if no signal is given during 60 minutes the device will switch automatically into standby mode in order to save energy (ERP 2 standard). Please note that low volume setting in the audio source may be recognized as "no audio signal": this will affect the capability of signal detection from the device and can also originate an automatic switch into standby mode. If this happens please reactivate the audio signal transmission or increase the volume setting on the audio source player (MP3 player, etc.), in order to resume playback. Please contact the local service center if the problem remains.

WARNING

This appliance is not intended for use by persons (including children) with reduced physical sensory or mental capabilities, or lack of experience and knowledge, unless they have been given supervision or instruction concerning use of the appliance by a person responsible for their safety. Children should be supervised to ensure that they do not play with the appliance.

1. Never use the device unsupervised! Switch off the device whenever you are not using it, even if this only for a short while.
2. The appliance is not intended to be operated by means of an external timer or separate remote control system.
3. If the supply cord is damaged, it must be replaced by the manufacturer, its service agent or similarly qualified persons in order to avoid a hazard.
4. Before operating this system, check the voltage of this system to see if it is identical to the voltage of your local power supply.
5. The unit should not be impeded by covering the ventilation opening with items such as newspaper, tablecloths, curtains etc. Make sure that there are at least 20 cm of space above and at least 5 cm of space on each side of the unit.
6. The apparatus must not be exposed to dripping or splashing and that objects filled with liquids, such as vases, must not be placed on the apparatus.
7. To prevent fire or shock hazard, do not expose this equipment to hot places, rain, moisture or dust.
8. Do not locate this unit near any water sources e.g. taps, bathtubs, washing machines or swimming pools. Ensure that you place the unit on a dry, stable surface.
9. Do not place this unit close to a strong magnetic field.
10. Do not place the unit on an amplifier or receiver.
11. Do not place this unit in a damp area as the moisture will affect the life of electric components.
12. If the system is brought directly from a cold to a warm location, or is placed in a very damp room, moisture may condense on the lens inside the player. If this occurs, the system will not operate properly. Please leave the system turned on for about an hour until the moisture evaporates.
13. Do not attempt to clean the unit with chemical solvents as this might damage the finish. Wipe with a clean, dry or slightly damp cloth.
14. When removing the power plug from the wall outlet, always pull directly on the plug, never pull on the cord.
15. Depending on the electromagnetic waves used by a television broadcast, if a TV is turned on near this unit while it is also on, lines might appear on the TV screen. Neither this unit nor the TV is malfunctioning. If you see such lines, keep this unit well away from the TV set.
16. The mains plug is used as the disconnect device, the disconnect device must remain readily operable.

IMPORTANT NOTES

- Use in accordance with the instruction manual.
- Do not install the device near any heat sources such as radiators, heat registers, stoves or other apparatus (including amplifiers) that generate heat.
- Clean only with a dry cloth.
- Do not cover or obstruct ventilation holes on speakers' grill.
- Do not expose the device to dripping or splashing.
- Use only original accessories specified by manufacturer.
- This product is not a toy, can be used by children only under supervision of adults.
- Do not expose the device to excessive heat such as sunshine, fire or the like.
- Do not use during lighting storms.
- Do not expose the device to electromagnetic radiation.
- In order to prevent hearing loss, do not listen to music for prolonged periods of time.
- Remember to do not use electronic devices in distance smaller than 10 cm from pacemaker.



Hereby, 2N-Everpol Sp. z o.o., declares that this equipment is in compliance with the essential requirement and other relevant provisions of Directive 2014/53/EU. Declaration of conformity can be obtained from the product page at www.prime3.eu. Responsible party: 2N-Everpol Sp.z o.o., Puławska 403A, 02-801 Warsaw, Poland, Phone: +48 22 688 08 00 E-mail: info@prime3.eu.



When this crossed-out wheeled bin symbol is attached to a product it means that the product is covered by the European Directive 2012/19/EU. Please inform yourself about the local separate collection system for electrical and electronic products. Used appliance should be delivered to the dedicated collecting points due to hazardous components, which may affect the environment. Do not dispose this appliance in the common waste bin.



Your product contains batteries covered by the European Directive 2006/66/EG, which cannot be disposed with normal household waste. Please inform yourself about the local rules on separate collection of batteries because correct disposal helps to prevent negative consequences for the environmental and human health.



Your products is designed a manufactured with high quality materials and components, which can be recycled and reused.

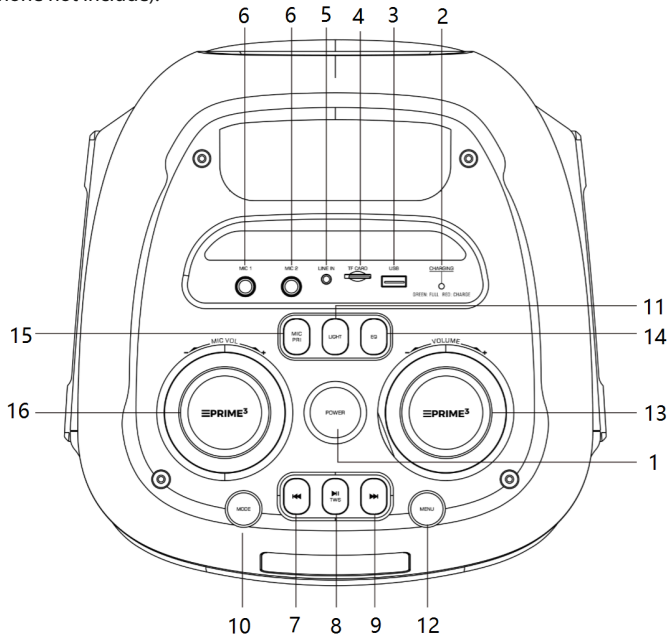


Recording and playback of material might require consent. See Copyright Act 1956 and The Performer's Protection Acts 1958 to 1972. The Bluetooth® word mark and logos are registered trademarks owned by Bluetooth SIG, Inc. and any use of such marks by us is under license. Other trademarks and trade names are those of their respective owners.

Thank you for buying our model, please read and reference this manual carefully before operating the unit. Please keep the manual for future operation reference.

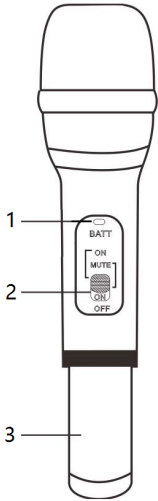
Many thanks for selecting our product. This model includes below main features.

- Bluetooth function for audio streaming playback.
- Built-in rechargeable battery.
- PLL FM radio with station memory.
- MicroSD card playback(max supported device till 32 GB).
- MP3 playback function.
- AUX playback function.
- USB Playback.
- Karaoke function (include 1 x wireless microphone; 2 x 6.3 mm wired microphone input, wired microphone not include).



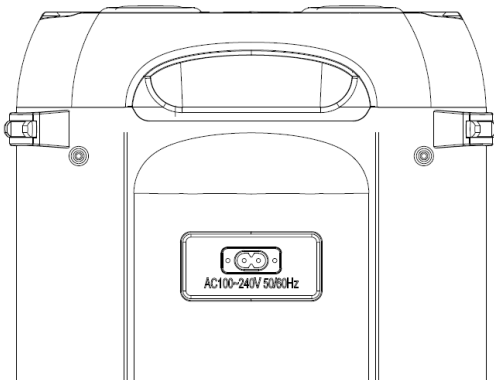
List of controls:

- | | |
|---------------------------------|--|
| 1. Power on/off | 10. Mode button |
| 2. Battery charge LED indicator | 11. LED disco light button |
| 3. USB port | 12. Menu button |
| 4. MicroSD slot | (T=treble, b=bass, EC=microphone echo) |
| 5. Aux-in/Line-in jack | 13. Volume control knob |
| 6. Microphone Input | 14. Preset equalizer button(EQ) |
| 7. Previous button | 15. Microphone output priority button |
| 8. Play/pause, TWS button | 16. Microphone volume knob. |
| 9. Next button | |



Wireless microphone

- 1. Power LED indicator
- 2. Power on/off switch
- 3. Battery compartment



Power connection: Please check if the power source corresponds to the rating voltage spec, which locates on the rear panel of unit. If it does not match, please consult to your dealer or service center. Insert the supplied female terminal of power cord into the AC outlet, then connect the power plug with the wall-mount socket in order to get the power.

Power on unit: long press 5 seconds the power button on top panel can power on or off the unit ; short press the power button can standby on or off the unit;

Battery power charging: the unit built-in rechargeable battery which allows to playback the music without AC power connection. When the battery is charging, the charging LED will show in red color which locates on the top panel. The charging LED will turn to green color after fully charged. The battery will be also charged when you power off the unit. but available with AC power connection. The charging time of battery is 5~7hours, and 2~4hours for playback time depends on the playing volume level. The unit will power off automatically in case of lower battery power, please recharge it for playback.

Battery use:

1. When the battery is out of power or the battery is low, please charge it as soon as possible. If it is not charged for a long time, the battery's internal storage capacity will be reduced, which will make it unable to be fully charged or shortened operation time.
2. Do not charge the battery for more than 24 hours. Over-discharging or overcharging shortens the life of the battery. Repeated charging and discharging affect the battery life as well as the playback time. Playing time cannot be guaranteed under all conditions. Variable battery life cannot be the basis for a warranty claim.
3. The battery icon which locates on the right bottom corner of display cannot represent the battery power capacity accurately due to dynamically consumption. When the first grid disappears, it probably has consumed 60~80% battery power.
4. When the battery die, the unit can normal work with AC power.

Bluetooth operation

The speaker includes Bluetooth function which allows you to wireless playback the audio with other Bluetooth device like smart phone etc. Please follow up below for the operation:

1. Power on the unit, press the mode button repeatedly enter to Bluetooth mode, and the display will show "BLUE".
2. Enable the Bluetooth function on your Bluetooth device, and search the available Bluetooth device (please reference your device manual for the operation).
3. Check the available Bluetooth device on the menu list of your device, and select "P3_Pulse" in order to start pairing. Please key-in "0000" (4 zero) in case of a password required during pairing.
4. Select and play the music on your Bluetooth device. Then the sound will output from speaker.
5. Press the previous/next button to switch playing track; rotate the volume+/- knob to increase or decrease the volume; press the play/pause button to play or pause music;

Bluetooth TWS (true wireless stereo output): in case you have two products on hand, place the unit near each other (less than 10 meters); power on and switch to Bluetooth mode on both units. Press and hold (3 seconds) TWS button choose and turn on TWS mode on one unit as master speaker, the display will show "SLAU" and flashing; then unit will auto pair with another speaker after a while. The "SLAU" on display becomes stable which mean the unit paired with another one successful. Search and pair with the speaker follow above Bluetooth operation, select the music for playing. Then you can get the sound output from both speakers. Press and hold TWS button on either speaker can turn off the TWS mode.

Important:

- a. The TWS playback is only available in Bluetooth mode. You need turn on and pair the TWS again in case power off and on, switch the play mode and back.
- b. In TWS mode, you can adjust the volume etc. on one unit, but controls output on both speakers.
- c. There may have small background noise in TWS playback mode which is normal due to wireless signal transmission, it is out of our service.
- d. Please try to follow up above operation for TWS pair again in case you fail.

Notes:

- a. All Bluetooth devices are not guaranteed to pair successfully due to different design and brand.
- b. The Bluetooth best working distance is within 10 meters without any obstacle in between.

FM radio operation

Before listen to the radio, please try to move the unit next to the window as you can in order to get better reception.

Auto scan and tuning: Power on the unit and press the mode button enter to FM mode, press the play/pause button to scan and save the available station. Press the previous/next button to switch the available preset station. Long press the previous/next button 2 seconds to scan and play the available station in upward or downward frequency. Rotate the volume knob to increase or decrease the output volume. The unit can maximum save up to 64 preset stations.

Key-in the station frequency number by digits button from remote controller can skip and play the relative station directly; Key-in the preset station number from remote controller can skip and play the saved station.

Important note: the voice of broadcasting station may get worse during charging due to interference; you can try to remove charging and turn off the disco light for better listening.

USB/microSD(TF) card playback

Please copy the MP3 format music into the USB or microSD card device (max supported 32GB) before start the playing, and then insert the device into the slot on the top panel of unit. Power on the unit, and press the mode button to enter the USB or microSD playback mode; the speaker will read out the device automatically, and get the music output after few seconds.

In USB/microSD card playback mode, press previous /next button to switch the track. Press and hold the previous/next button to fast-rewind/fast-forward the current track, resume to normal playback after release the button. Rotate volume knob to increase or decrease the volume level; press play/pause button to play or pause the music; press the repeat button repeatedly from remote controller to switch play mode between repeat one/ repeat all; press the digit button from remote controller for music track fast selections; press the U/SD button from remote controller to switch the play mode between USB and microSD.

Note:

- a. Using an USB extension cable for USB device playback connection is not recommend, due to that may cause data loss during transfer, and get noise output.
- b. The max supported USB/microSD device is up to 32 G.
- c. The supported music file format is MP3/WMA/WAV/FLAC, but not guarantee all of them.
- d. The USB and mciroSD play mode only available when the device plug on.

LINE IN/AUX IN

Using the supplied audio cable connect the AUX jack on the speaker top panel with the line out or headphone jack on any other external audio player like mp3 player etc. Power on the speaker and short press the Mode button to enter the AUX IN playback mode; select and play the music from your external audio player, then the sound will output from the speaker.

Notes:

1. In AUX IN mode, the main control is on your external audio player side. However, you still can increase or decrease the volume on the speaker side.

Karaoke

The product includes Karaoke function. You can achieve and sing song by wired or wireless microphone input. Hold and rotate the bottom part of supplied wireless microphone in anticlockwise direction to loose and open the battery door, insert 2pcs AA size dry battery (not include) according to the correct positive and negative polarity, then rotate the bottom part of microphone in clockwise direction to tight and close the battery compartment. Push the ON/OFF switch to on position in order to power on the microphone, the speaker will pair with the wireless microphone automatically after a few seconds. Adjust the microphone output volume level properly on top panel, then we can start to sing. The unit also includes wired microphone input jack, plug on the wired microphone(not include) into the 6.3mm jack, then turn on the microphone for singing.

Microphone output volume and echo: turn the microphone volume knob on top panel to adjust the microphone output loudness; Short press the menu button repeatedly from top panel to get echo effect adjustment options, rotate the main volume knob to adjust the echo output level properly. (EC=microphone echo, recommended settings: micro volume =12; echo=6)

Microphone output priority function: in case you activate the function from top panel by press the priority button, the karaoke voice will output from speaker in priority (cover the background music); and resume to background music output automatically after you singing be finished

Notes

- a. There may have a big noise come out from speaker when you adjust volume/ echo to high level due to overloading and distortion on microphone. This is not mal-function. So please turn and increase these settings slowly, and turn it back or turn off microphone for retrying in case of such big noise happens.
- b. You can use the karaoke function and listen the music at same time; in case that you need increase the Karaoke volume and decrease the background music, you can try to adjust the separate microphone volume and main volume knob.
- c. Please turn off the microphone when you put it next to speaker, otherwise there will cause huge noise.
- d. It allows to sing the wireless and wired microphone at same time.
- e. The max working distance of wireless microphone is around 25 meters away from the speaker and without obstacle in between. Recommended working distance within 10 meters.
- f. When the red color power LED indicator is blink on wireless microphone, which means the battery power is low, and remind you to replace it with fresh one. And the remaining battery power can still work and support around 2 hours depends on the quality of dry battery.
- g. The mute function is not available on wireless microphone, but equal to microphone power off when you switch it.

Disco light: short press the light button repeatedly on top panel can switch the speaker disco light(8 types and light off).

Speaker mute: short press the mute button from remote controller can make the speaker in silence; press it again or turn the volume knob can resume the output.

EQ and treble/bass adjustment: short press the EQ button repeatedly from top panel or remote controller can select and adjust the preset EQ(FLAT/POP/ROCK/JAZZ/CLASSIC); short press the menu button repeatedly from top panel can get the treble or bass options, rotate the main volume knob immediately to adjust the output level. This function works in Bluetooth/FM/USB/microSD/LINE IN mode.



Remote controller: the unit includes a simple remote controller, which have similar operation like above.

Trouble shooting

1. The unit cannot power on.
 - a. Please charge the unit and try again.
 - b. Please check if the AC power was connected properly.
 - c. Please contact the service center if the issue remains.
2. There is no or intermittent sound output in Bluetooth mode.
 - a. Please turn off the Bluetooth, and re-pair with the speaker.
 - b. Please put your Bluetooth device closer to the speaker.
3. No available FM station or background noise in FM.
 - a. Please tune to another FM station for listening.
 - b. Please try to move the unit next to the window in order to get better reception.
4. The speaker cannot read out the music in USB or microSD card.
 - a. Please check if you insert the USB or microSD card into the slot properly.
 - b. Please check if the audio format is in MP3/WMA/WAV/FLAC.

Specification:

- Audiostreaming via Bluetooth (A2DP)
- Music playback time ~4 h
- Dual 6.5 mm microphone input
- Karaoke function with wireless UHF microphone
- Multicolor LED illumination with special light effects
- Power: 6.000 W P.M.P.O.
- Wireless UHF microphone included
- AUX IN
- USB slot
- Equalizer
- MP3 player microSD (up to 32 GB)
- Bass/treble regulation
- Dual 6.5" woofer and dual 1" tweeter
- TWS function
- FM Radio: 87,5~108,0 MHz
- Built-in, rechargeable battery: 7.4 V, 3.6 Ah
- Charging time: 6~8 h
- Accessories: 1 x power cable, 1 x AUX cable, 1 x remote controller, 1 x wireless UHF microphone
- Power source: 100 V~ 240 V~ 50/60 Hz
- Dimensions: 28.5 x 28 x 63 cm
- Weight: 6.8 kg

(The above specs may update without prior notice)

Wichtige Sicherheitshinweise

Modell: APS61, Party-lautsprecher mit Bluetooth und Karaoke -Funktion

**Vorsicht:**

Um das Risiko eines Stromschlages zu verringern, demontieren Sie weder die Geräteabdeckung noch die Rückseite des Gerätes. Im Inneren des Gerätes befinden sich keine vom Benutzer zu wartenden Teile. Die Wartung und Reparatur des Gerätes sollten ausschließlich von qualifiziertem Servicepersonal durchgeführt werden.

Erläuterung der grafischen Symbole:

Ein Blitz mit einer Pfeilspitze in einem gleichseitigen Dreieck warnt den Benutzer vor einer nicht isolierten „gefährlichen Spannung“ im Gehäuse des Gerätes. Diese Spannung kann so hoch sein, dass eine Stromschlaggefahr besteht.



Das Ausrufezeichen in einem gleichseitigen Dreieck weist den Benutzer darauf hin, dass in der beigelegten Dokumentation wichtige Bedienungs- und Wartungshinweise enthalten sind, die beachtet werden sollten.

Bitte lesen Sie diese Bedienungsanleitung durch, bevor Sie das Gerät in Betrieb nehmen, um sich mit seinen Funktionen vertraut zu machen und diese für den vorgesehenen Zweck zu verwenden. Dies gewährleistet einen langfristigen, störungsfreien Betrieb und Zufriedenheit mit dem Gerät.

Wichtige Informationen

- Bewahren Sie diese Bedienungsanleitung und Sicherheitshinweise zum späteren Nachschlagen auf.
- Das Gerät darf keinesfalls tropfendem Wasser oder Spritzwasser ausgesetzt werden. Verwenden Sie es auch nicht in feuchter Umgebung wie zum Beispiel einem Badezimmer.
- Installieren Sie dieses Gerät nicht:
- An Orten, die der direkten Sonneneinstrahlung ausgesetzt sind, oder in der Nähe von Heizgeräten.
- Auf anderen Stereogeräten, die Wärme abgeben.
- An Orten, die Luftzirkulation störend beeinflussen können, oder an einem staubigen Ort.
- An Orten, die ständigen Vibrationen ausgesetzt sind.
- An Orten mit hoher Luftfeuchtigkeit.
- Stellen Sie das Gerät nicht in der Nähe von Kerzen oder offenen Flammen auf.
- Verwenden Sie das Gerät nur wie in dieser Bedienungsanleitung beschrieben.
- Vergewissern Sie sich vor dem ersten Einschalten des Gerätes, dass das Netzteil ordnungsgemäß angeschlossen ist.
- Schließen Sie den USB-Speicher direkt oder über ein bis zu 25 cm langes USB-Verlängerungskabel an.

Aus Sicherheitsgründen dürfen Sie das Gehäuse nicht demontieren und auf das Innere des Gerätes zugreifen. Das Gerät sollte von qualifiziertem Servicepersonal repariert werden.

Das Gerät darf nicht zerlegt oder das Gehäuse geöffnet werden, da sich keine vom Benutzer zu wartenden Teile im Inneren befinden. Die Wartung und Reparatur des Gerätes sollten ausschließlich von qualifiziertem Servicepersonal durchgeführt werden.

SICHERHEITSHINWEISE

- 1. Lesen Sie die Anweisungen durch** – lesen Sie die gesamte Bedienungsanleitung und die Sicherheitshinweise durch, bevor Sie das Gerät in Betrieb nehmen.
- 2. Bewahren Sie die Anweisungen auf** – bewahren Sie die Bedienungsanleitung zum späteren Nachschlagen auf.
- 3. Beachten Sie die Warnhinweise** – befolgen Sie alle Warnungen auf dem Gerät und in der Bedienungsanleitung.
- 4. Beachten Sie die Anweisungen** – befolgen Sie die Bedienungsanleitung und Benutzeranweisungen.
- 5. Installation** – stellen Sie das Gerät gemäß den Anweisungen des Herstellers auf.
- 6. Stromquellen** – das Gerät sollte nur durch Quellen mit den auf dem Netzkabel angegebenen Parametern versorgt werden. Wenn der Benutzer nicht sicher ist, welche Art der Stromversorgung bei ihm zu Hause vorhanden ist, sollte er sich an den Gerätehändler oder den örtlichen Stromversorger wenden.
- 7. Erdung oder Polarisation** – das Gerät muss nicht geerdet werden. Stellen Sie sicher, dass der Stecker vollständig in eine Steckdose oder Steckdosenleiste eingesteckt ist, um zu verhindern, dass die Stifte oder Kontakte freigelegt werden. Einige Versionen dieses Gerätes können mit einem polarisierten Wechselstromstecker (mit einem breiteren Stift) ausgestattet werden. Dieser Stecker kann nur in einer Weise an eine Steckdose angeschlossen werden. Dabei handelt es sich um eine Sicherheitsfunktion. Wenn Sie den Stecker nicht in die Steckdose stecken können, versuchen Sie ihn umzudrehen. Sollte der Stecker dann ebenfalls nicht in die Steckdose passen, lassen Sie die Steckdose durch einen Elektriker ersetzen. Entfernen Sie nicht die Schutzvorrichtungen des polarisierten Steckers. Wenn Sie ein anderes Verlängerungskabel oder Netzkabel als das im Lieferumfang des Gerätes enthaltene verwenden, müssen diese über die richtigen Stecker und die vom jeweiligen Land geforderte Sicherheitszulassung verfügen.
- 8. Schutz des Netzkabels** – verlegen Sie die Netzkabel so, dass sie nicht betreten und mit Gegenständen eingeklemmt oder zerschnitten werden können. Achten Sie besonders auf Stecker, Steckdosen und solche Stellen, an denen die Kabel aus dem Gerät herausgeführt werden.
- 9. Überlastung** – überlasten Sie keine Wandsteckdosen, Verlängerungskabel und elektrischen Verteiler, da dies zu einem Brand oder Stromschlag führen kann.
- 10. Belüftung** – das Gerät muss ordnungsgemäß belüftet werden. Stellen Sie das Gerät nicht auf ein Bett, ein Sofa oder eine ähnliche Oberfläche. Decken Sie das Gerät nicht mit Tischdecken, Servietten, Zeitungen usw. ab.
- 11. Wärme** – stellen Sie das Gerät nicht in der Nähe von Wärmequellen wie Heizkörpern, Heizstrahlern, Öfen oder anderen Geräten (einschließlich Verstärkern) auf, die Wärme erzeugen. Stellen Sie keine brennenden Kerzen oder anderen Zündquellen mit offener Flamme auf das Gerät.
- 12. Wasser und Feuchtigkeit** – um die Gefahr eines Brandes oder Stromschlages zu verringern, setzen Sie dieses Gerät nicht direktem Regen, Wasser und Feuchtigkeit (z.B. in einer Sauna oder einem Badezimmer) aus. Verwenden Sie dieses Gerät nicht in der Nähe von Wasser, z.B. neben einer Badewanne, einem Waschbecken, einer Küchenspüle oder Waschmaschine, in einem feuchten Keller oder in der Nähe eines Schwimmbeckens (oder ähnlicher Orte).
- 13. Gegenstände und Flüssigkeiten im Gerät** – schieben Sie keine Gegenstände jeglicher Art durch die Öffnungen dieses Gerätes, da sie mit gefährlichen Spannungspunkten und Komponenten in Berührung kommen können, die einen Brand oder Stromschlag verursachen können. Auf keinen Fall dürfen Flüssigkeiten jeglicher Art auf dem Gerät verschüttet werden. Stellen Sie keine Gegenstände mit Flüssigkeiten auf das Gerät.
- 14. Reinigung** – trennen Sie das Gerät vor der Reinigung immer von der Steckdose. Staub um den Boombox herum kann mit einem trockenen Tuch entfernt werden. Sollte ein Spray zur Reinigung verwendet werden, richten Sie den Sprühstrahl nicht direkt auf das Gerät, sondern auf ein Tuch. Achten Sie darauf, dass die Antriebseinheiten nicht beschädigt werden.
- 15. Zusatzausstattung** – verwenden Sie kein Zubehör, das nicht vom Hersteller zugelassen ist, da es eine Gefahr darstellen kann.

- 16. Zubehör** – stellen Sie das Gerät nicht auf instabile Wagen, Ständer, Stative, Halterungen oder Tische. Das Gerät kann umkippen und beschädigt werden sowie schwere Verletzungen bei Kindern oder Erwachsenen verursachen. Verwenden Sie nur die vom Hersteller angegebenen oder mit dem Gerät verkauften Wagen, Ständer, Stative, Halterungen und Tische. Die Installation des Gerätes sollte gemäß den Anweisungen des Herstellers unter Verwendung des vom Hersteller empfohlenen Montagesatzes durchgeführt werden.
- 17. Bewegung des Gerätes** – das auf dem Wagen platzierte Gerät sollte sehr vorsichtig bewegt werden. Plötzliches Anhalten, das Ausüben übermäßiger Krafteinwirkungen oder unebene Oberflächen können dazu führen, dass der Wagen mit dem Gerät umkippt.
- 18. Nichtbenutzung des Gerätes** – ziehen Sie während eines Gewitters mit atmosphärischen Entladungen oder wenn das Gerät längere Zeit nicht benutzt wird den Netzstecker aus der Steckdose.
- 19. Wartung** – versuchen Sie keinesfalls das Gerät selbst zu warten oder zu reparieren. Das Öffnen der Abdeckung kann zu Kontakt mit gefährlicher Spannung führen und den Benutzer anderen Gefahren aussetzen. Die Wartung und Reparatur des Gerätes sollten ausschließlich von qualifiziertem Servicepersonal durchgeführt werden.
- 20.** Wenn Sie das Gerät nicht benutzen, ziehen Sie den Netzstecker aus der Steckdose. Wenn das Gerät an eine Stromquelle angeschlossen ist, befindet es sich im Standby-Modus und ist nicht vollständig ausgeschaltet.
- 21. Ersatzteile** – überprüfen Sie beim Austausch von Teilen, ob der Servicetechniker die vom Hersteller empfohlenen Ersatzteile verwendet hat oder ob die Teile mit dem Originalteil identisch sind. Das Ersetzen der Teile durch nicht zugelassene Teile kann zu einem Brand, Stromschlag oder anderen Gefahren führen.
- 22. Hauptsicherungen** – um das Gerät kontinuierlich vor Brand zu schützen, verwenden Sie Sicherungen des richtigen Typs und der richtigen Parameter. Die Parameter der Sicherungen in einem bestimmten Spannungsbereich sind auf dem Gerät gekennzeichnet.
- 23.** Erhöhen Sie die Lautstärke nicht, wenn Sie leise Teile eines Songs hören oder wenn kein Eingangsaudiosignal vorhanden ist. Andernfalls kann der Boombox beschädigt werden, wenn die Signalstärke schnell ansteigt.
- 24.** Die einzige Möglichkeit, das Gerät vollständig von der Stromquelle zu trennen, besteht darin, das Netzkabel von der Steckdose oder vom Gerät zu trennen. Die Netzsteckdose oder die Buchse des Gerätes müssen während der Benutzung des Produktes immer zugänglich sein.
- 25.** Das Gerät sollte auf eine solche Weise in der Nähe einer Steckdose oder Steckdosenleiste aufgestellt werden, dass es stets zugänglich ist.
- 26.** Die maximale Umgebungstemperatur des Gerätes beträgt 35°C.
- 27. Anweisungen zur elektrostatischen Entladung** – wird das Gerät durch elektrostatische Wirkungen in ihrer Funktion gestört, schalten Sie es aus und wieder ein oder bewegen Sie es an einen anderen Ort.
- 28. Batterie**
- Batterien dürfen keiner übermäßigen Hitze wie Sonneneinstrahlung, Feuer usw. ausgesetzt werden.
 - Bei der Entsorgung von Batterien ist auf den Schutz der Umwelt zu achten.
 - Vorsicht bei der Verwendung von Batterien: Um ein Auslaufen der Batterien zu vermeiden, das zu Verletzungen oder Schäden am Gerät führen kann:
 - Achten Sie beim Einlegen der Batterien auf die Polarität (+ und -).
 - Verwenden Sie nicht gleichzeitig verschiedene Batterien – alte und neue Standard- und Alkalibatterien usw.
 - Entnehmen Sie die Batterien aus dem Gerät, wenn es längere Zeit nicht benutzt wird.

Hinweis zu ERP2 (energieverbrauchsrelevante Produkte)

Dieses Gerät erfüllt die Anforderungen der Stufe 2 der Verordnung (EG) Nr. 1275/2008 der Kommission zur Durchführung der Richtlinie 2009/125/EG im Hinblick auf die Festlegung von Ökodesign-Anforderungen an den Stromverbrauch elektrischer und elektronischer Haushalts- und Bürogeräte im Bereitschafts- und im Aus-Zustand.

Nach 60 Minuten ohne Audioeingangssignal wechselt das Gerät automatisch in den Standby-Modus. Informationen zur Wiederherstellung des Normalbetriebs finden Sie in der Bedienungsanleitung.

Wichtige Informationen:

Dieses Gerät ist mit einem Stromsparmodus ausgestattet: wird innerhalb von 60 Minuten kein Eingangssignal gegeben, wechselt das Gerät automatisch in den Standby-Modus, um Strom zu sparen (Norm ERP 2). Es ist zu beachten, dass eine sehr niedrige Lautstärkeeinstellung in einer Audiosignalquelle dazu führen kann, dass das Gerät „kein Audiosignal“ erkennt. Dies kann die Möglichkeit beeinträchtigen, das Signal vom Gerät zu erkennen und automatisch in den Standby-Modus zu wechseln. Stellen Sie in diesem Fall die Audiosignalübertragung wieder her oder erhöhen Sie die Lautstärke in der Audiosignalquelle (MP3-Player usw.), um die Wiedergabe fortzusetzen. Wenn das Problem weiterhin besteht, wenden Sie sich bitte an Ihre lokale Servicestelle.

VORSICHT

Dieses Gerät darf nicht von Personen (einschließlich Kindern) mit eingeschränkter körperlicher, sensorischer oder geistiger Leistungsfähigkeit sowie von Personen mit unzureichenden Kenntnissen und Erfahrungen benutzt werden, es sei denn, sie werden von einer Person, die für ihre Sicherheit verantwortlich ist, beaufsichtigt oder in die Bedienung des Gerätes eingewiesen. Wird das Gerät von Kindern bedient, ist die Anwesenheit von Erwachsenen erforderlich, um eine sichere Verwendung des Gerätes zu gewährleisten.

1. Lassen Sie das Gerät nie unbeaufsichtigt, solange es in Betrieb ist! Schalten Sie das Gerät aus, wenn es nicht verwendet wird, auch nur für kurze Zeit.
2. Das Gerät darf nicht über eine externe Zeitschaltuhr oder eine separate Fernbedienung betrieben werden.
3. Um eine Gefahr bei einer Beschädigung des Netzkabels zu vermeiden, sollte der Austausch durch den Hersteller, eine autorisierte Servicestelle oder eine andere qualifizierte Person durchgeführt werden.
4. Vergewissern Sie sich vor dem Betrieb des Gerätes, dass die Spannung mit der des örtlichen Stromnetz übereinstimmt.
5. Decken Sie die Lüftungsöffnungen des Gerätes nicht mit Zeitungen, Tischdecken, Vorhängen usw. ab. Halten Sie einen Freiraum von mindestens 20 cm über dem Gerät und mindestens 5 cm an allen Seiten des Gerätes ein.
6. Das Gerät darf keinesfalls tropfendem Wasser oder Spritzwasser ausgesetzt werden. Es dürfen keine mit Flüssigkeit gefüllten Gegenstände wie beispielsweise Vasen auf dem Gerät abgestellt werden.
7. Um Brand oder Stromschlag zu vermeiden, schützen Sie das Gerät vor heißen Stellen, Regen, Feuchtigkeit und Staub.
8. Stellen Sie das Gerät nicht in der Nähe von Wasserquellen wie z.B. Wasserhähnen, Badewannen, Waschmaschinen oder Schwimmbecken auf. Stellen Sie das Gerät auf eine ebene und stabile Fläche.
9. Setzen Sie das Gerät keinen starken elektromagnetischen Feldern aus.
10. Stellen Sie das Gerät nicht direkt auf einen Verstärker oder AV-Receiver.
11. Stellen Sie das Gerät nicht an einen feuchten Ort, da Feuchtigkeit schädliche Auswirkungen auf elektrische Komponenten hat.
12. Wenn Sie das Gerät von einem kalten an einen warmen Ort oder an einen feuchten Ort bringen, kann es zu Kondensation von Feuchtigkeit auf der Linse im Inneren des Players kommen. Dies kann zu Funktionsstörungen führen. Lassen Sie das Gerät etwa eine Stunde lang eingeschaltet stehen, damit die Feuchtigkeit verdunsten kann.

13. Verwenden Sie zur Reinigung des Gerätes keine chemischen Lösungsmittel, da diese den Lack des Gehäuses beschädigen können. Wischen Sie das Gerät mit einem sauberen, trockenen oder leicht angefeuchteten Tuch ab.
14. Ziehen Sie immer am Stecker und niemals am Netzkabel, wenn Sie den Stecker aus der Wandsteckdose ziehen.
15. Wenn das eingeschaltete Gerät in der Nähe des eingeschalteten Fernsehers verwendet wird, kann es zu Bildrauschen in Form von Linien auf dem Bildschirm kommen. Dies hängt vom TV-Wellenbereich ab. Dies stellt keine Fehlfunktion des Gerätes oder des Fernsehgerätes dar. Wenn solche Linien sichtbar sind, bewegen Sie das Gerät vom Fernseher weg.
16. Der Netzstecker dient zum Trennen der Netzspannung und sollte immer zugänglich sein.

WICHTIGE NOTIZEN

- **Verwenden Sie das Gerät in Übereinstimmung mit der Gebrauchsanweisung.**
- **Stellen Sie das Gerät nicht in der Nähe von Wärmequellen wie Heizkörpern, Heizregistern, Öfen oder anderen Geräten (einschließlich Verstärkern) auf, die Wärme erzeugen.**
- **Reinigen Sie das Gerät nur mit einem trockenen Tuch.**
- **Decken Sie die Lüftungsöffnungen des Lautsprechergitters nicht ab und behindern Sie sie nicht.**
- **Setzen Sie das Gerät keinen Wassertropfen oder -spritzern aus.**
- **Verwenden Sie nur das vom Hersteller angegebene Originalzubehör.**
- **Dieses Produkt ist kein Spielzeug und kann von Kindern nur unter Aufsicht von Erwachsenen verwendet werden.**
- **Setzen Sie das Gerät nicht übermäßiger Hitze wie Sonnenschein, Feuer oder Ähnlichem aus.**
- **Verwenden Sie das Gerät nicht bei Gewitter.**
- **Setzen Sie das Gerät keiner elektromagnetischen Strahlung aus.**
- **Um Gehörschäden vorzubeugen, sollten Sie nicht über einen längeren Zeitraum hinweg Musik hören.**
- **Denken Sie daran, keine elektronischen Geräte in einem Abstand von weniger als 10 cm vom Herzschrittmacher zu verwenden.**



Hiermit erklärt 2N-Everpol Sp.z o.o., dass dieses Produkt den grundlegenden Anforderungen und anderen relevanten Bestimmungen der Richtlinie 2014/53/EU entspricht. Die Konformitätserklärung nden Sie unter www.prime3.eu. Verantwortlich Beteiligte: 2N-Everpol Sp.z o.o., Pulawska 403A, 02-801 Warschau, Polen, Phone: +48 22 688 08 00, E-mail: info@prime3.eu.



Wenn sich auf dem Gerät ein Piktogramm mit einer durchgestrichenen Mülltonne befindet, bedeutet das, dass dieses Produkt den Beschlüssen der EU-Richtlinie 2012/19/EU entspricht. Man soll sich mit den Anforderungen des regionalen Systems für die Sammlung von elektrischen und elektronischen Abfällen vertraut machen. Man soll gemäß den örtlichen Vorschriften handeln. Dieses Produkt darf nicht zusammen mit dem Haushaltsabfall entsorgt werden. Die ordnungsgemäße Entsorgung dieses Produktes vermeidet potentiell negative Folgen für die Umwelt und menschliche Gesundheit.



Gemäß der Europäischen Richtlinie 2006/66/EG ist das Gerät mit Batterien ausgestattet. Die Batterien dürfen nicht mit dem Hausmüll entsorgt werden. Bitte beachten Sie die örtlichen Bestimmungen zur getrennten Sammlung von Batterien, da die korrekte Entsorgung mögliche negative Folgen für die Umwelt und die menschliche Gesundheit verhindert



Das Produkt ist aus hochqualitativen, recycelbaren und wiederverwendbaren Materialien und Bauelementen hergestellt.

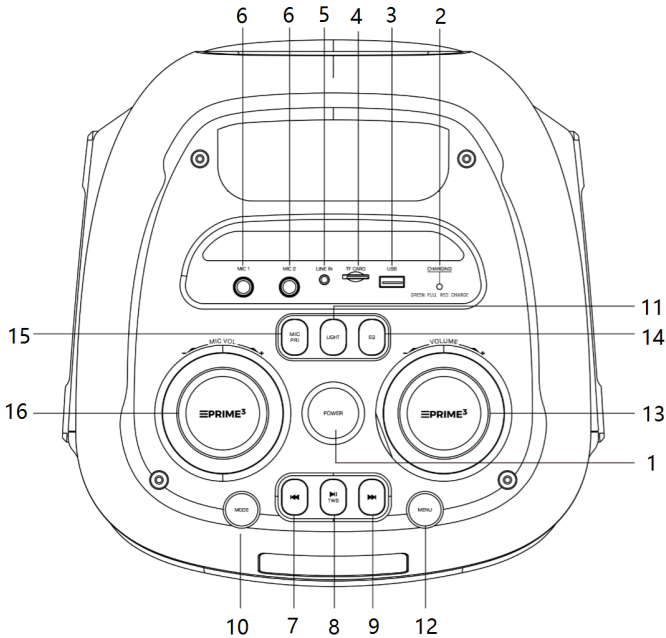


Der Eigentümer der Marken und Bluetooth®-Logo ist die Firma Bluetooth SIG, Inc. USA. Die Verwendung dieser Marken und Logos ist lizenzpflichtig. Andere Marken und Handelsnamen sind Eigentum ihrer jeweiligen Eigentümer.

Vielen Dank für den Kauf unseres Modells, bitte lesen Sie diese Anleitung vor der Benutzung des Geräts sorgfältig durch und machen sich mit ihr vertraut. Bitte bewahren Sie diese Anleitung zum späteren Nachschlagen auf.

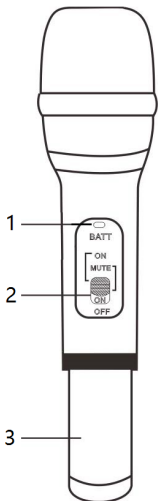
Vielen Dank, dass Sie sich für unser Produkt entschieden haben. Dieses Modell umfasst die folgenden Hauptmerkmale.

- Bluetooth-Funktion für Audio-Streaming-Wiedergabe.
- Eingebaute wiederaufladbare Batterie.
- PLL FM-Radio mit Senderspeicher.
- MicroSD-Kartenwiedergabe (max. unterstütztes Gerät bis 32 GB).
- MP3-Wiedergabefunktion.
- Aux-Wiedergabefunktion.
- USB-Wiedergabe.
- Karaoke-Funktion (einschließlich 1 x drahtloses Mikrofon; 2 x 6,3mm kabelgebundener Mikrofoneingang, kabelgebundenes Mikrofon nicht enthalten).



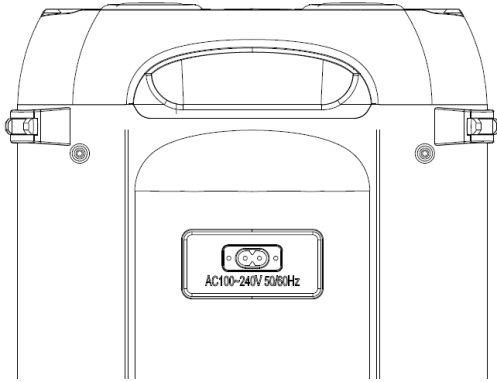
Liste der Bedienelemente:

- | | |
|---------------------------------------|--|
| 1. Strom ein/aus | 9. Nächste Taste |
| 2. LED-Anzeige für die Batterieladung | 10. Modus-Taste |
| 3. USB-Anschluss | 11. LED-Disco-Licht-Taste |
| 4. MicroSD-Steckplatz | 12. Menü-Taste (T=Höhen, b=Bass, EC=Mikrofon-Echo) |
| 5. Aux-in/Line-in-Buchse | 13. Lautstärkeregerler |
| 6. Mikrofon-Eingang | 14. Taste für den voreingestellten Equalizer (EQ) |
| 7. Zurück-Taste | 15. Taste für die Priorität des Mikrofonausgangs |
| 8. Wiedergabe/Pause, TWS-Taste | 16. Mikrofon-Lautstärkeknopf. |



Drahtloses Mikrofon

1. Power-LED-Anzeige
2. Ein/Aus-Schalter
3. Batteriefach



Stromanschluss: Prüfen Sie, ob die Stromquelle mit der Spannungsangabe auf der Rückseite des Geräts übereinstimmt. Sollte dies nicht der Fall sein, wenden Sie sich bitte an Ihren Händler oder ein Service-Center. Stecken Sie die mitgelieferte Buchse des Netzkabels in die Steckdose und verbinden Sie dann den Netzstecker mit der Wandsteckdose, um das Gerät mit Strom zu versorgen.

Einschalten des Geräts: Drücken Sie 5 Sekunden lang die Einschalttaste auf der Oberseite, um das Gerät ein- oder auszuschalten; drücken Sie kurz die Einschalttaste, um das Gerät in den Standby-Modus zu schalten;

Aufladen des Akkus: Das Gerät verfügt über einen wiederaufladbaren Akku, der die Musikwiedergabe ohne Netzanschluss ermöglicht. Wenn der Akku geladen wird, leuchtet die Lade-LED auf der Oberseite des Geräts rot auf. Wenn der Akku vollständig aufgeladen ist, leuchtet die Lade-LED in grüner Farbe. Der Akku wird auch aufgeladen, wenn Sie das Gerät ausschalten, ist aber nur mit Netzstromanschluss verfügbar. Die Ladezeit des Akkus beträgt 5 bis 7 Stunden und die Wiedergabezeit 2 bis 4 Stunden, abhängig von der Lautstärke. Das Gerät schaltet sich automatisch aus, wenn die Akkuleistung nachlässt. Bitte laden Sie den Akku für die Wiedergabe wieder auf.

Verwendung der Batterie:

1. Wenn der Akku leer oder schwach ist, laden Sie ihn bitte so schnell wie möglich auf. Wenn der Akku über einen längeren Zeitraum nicht aufgeladen wird, verringert sich die interne Speicherkapazität des Akkus, was dazu führt, dass er nicht vollständig aufgeladen werden kann oder die Betriebszeit verkürzt wird.
2. Laden Sie den Akku nicht länger als 24 Stunden auf. Eine Überentladung oder Überladung verkürzt die Lebensdauer des Akkus. Wiederholtes Aufladen und Entladen beeinträchtigt die Lebensdauer des Akkus und die Wiedergabezeit. Die Wiedergabedauer kann nicht unter allen Bedingungen garantiert werden. Eine veränderliche Batterielebensdauer kann nicht als Grundlage für einen Garantieanspruch dienen.
3. Das Batteriesymbol, das sich in der rechten unteren Ecke des Displays befindet, kann aufgrund des dynamischen Verbrauchs die Batteriekapazität nicht genau darstellen. Wenn das erste Gitter verschwindet, sind wahrscheinlich 60-80% der Batterieleistung verbraucht.
4. Wenn der Akku leer ist, kann das Gerät normal mit Netzstrom betrieben werden.

Bluetooth-Betrieb

Der Lautsprecher verfügt über eine Bluetooth-Funktion, die es Ihnen ermöglicht, Audioinhalte drahtlos mit anderen Bluetooth-Geräten wie Smartphones usw. wiederzugeben. Bitte gehen Sie wie folgt vor:

1. Schalten Sie das Gerät ein, drücken Sie wiederholt die Modustaste, um in den Bluetooth-Modus zu gelangen, und auf dem Display wird "BLUE" angezeigt.
2. Aktivieren Sie die Bluetooth-Funktion auf Ihrem Bluetooth-Gerät, und suchen Sie das verfügbare Bluetooth-Gerät (bitte beziehen Sie sich auf das Handbuch Ihres Geräts für den Betrieb).
3. Überprüfen Sie das verfügbare Bluetooth-Gerät in der Menüliste Ihres Geräts, und wählen Sie "P3_Pulse", um die Kopplung zu starten. Bitte geben Sie "0000" (4 Nullen) ein, falls ein Passwort während der Kopplung erforderlich ist.

4. Wählen Sie die Musik auf Ihrem Bluetooth-Gerät aus und spielen Sie sie ab. Der Ton wird dann über den Lautsprecher ausgegeben.
5. Drücken Sie die vorherige/nächste Taste, um zwischen den Titeln zu wechseln; drehen Sie den Lautstärke+/- Knopf, um die Lautstärke zu erhöhen oder zu verringern; drücken Sie die Play/Pause-Taste, um die Musik abzuspielen oder anzuhalten;

Bluetooth TWS (True Wireless Stereo Output): Falls Sie zwei Produkte zur Hand haben, stellen Sie die Geräte in der Nähe voneinander auf (weniger als 10 Meter); schalten Sie beide Geräte ein und wechseln Sie in den Bluetooth-Modus. Halten Sie die TWS-Taste gedrückt (3 Sekunden) und schalten Sie den TWS-Modus auf einem Gerät als Hauptlautsprecher ein. Auf dem Display wird "SLAU" angezeigt und blinkt; nach einer Weile koppelt sich das Gerät automatisch mit einem anderen Lautsprecher. Die Anzeige "SLAU" auf dem Display bleibt stabil, was bedeutet, dass das Gerät erfolgreich mit einem anderen gekoppelt wurde. Suchen und koppeln Sie den Lautsprecher wie oben beschrieben über Bluetooth und wählen Sie die Musik aus, die Sie abspielen möchten. Dann können Sie die Tonausgabe von beiden Lautsprechern erhalten. Halten Sie die TWS-Taste an einem der Lautsprecher gedrückt, um den TWS-Modus zu deaktivieren.

Wichtig!

- a. Die TWS-Wiedergabe ist nur im Bluetooth-Modus verfügbar. Sie müssen die TWS einschalten und erneut koppeln, wenn Sie das Gerät aus- und einschalten, den Wiedergabemodus wechseln und zurückschalten.
- b. Im TWS-Modus können Sie die Lautstärke usw. an einem Gerät einstellen, aber die Ausgabe an beiden Lautsprechern steuern.
- c. Im TWS-Wiedergabemodus kann es zu leichten Hintergrundgeräuschen kommen, was aufgrund der drahtlosen Signalübertragung normal ist und nicht in unserem Einflussbereich liegt.
- d. Versuchen Sie bitte, den oben beschriebenen Vorgang für das TWS-Paar noch einmal durchzuführen, falls Sie keinen Erfolg haben.

Hinweise:

- a. Es kann nicht garantiert werden, dass alle Bluetooth-Geräte erfolgreich gekoppelt werden können, da sie sich in Design und Marke unterscheiden.
- b. Die beste Bluetooth-Entfernung ist 10 Meter ohne Hindernisse dazwischen.

FM-Radio-Betrieb

Bevor Sie Radio hören, versuchen Sie bitte, das Gerät so nah wie möglich an das Fenster zu stellen, um einen besseren Empfang zu erhalten.

Automatischer Suchlauf und Abstimmung: Schalten Sie das Gerät ein und drücken Sie die Modustaste, um in den UKW-Modus zu gelangen, drücken Sie die Play/Pause-Taste, um den verfügbaren Sender zu suchen und zu speichern. Drücken Sie die vorherige/nächste Taste, um den verfügbaren voreingestellten Sender zu wechseln. Drücken Sie die Vorherige/Nächste Taste 2 Sekunden lang, um den verfügbaren Sender zu suchen und in der Frequenz aufwärts oder abwärts abzuspielen. Drehen Sie den Lautstärkeregel, um die Ausgangslautstärke zu erhöhen oder zu verringern. Das Gerät kann maximal 64 voreingestellte Sender speichern.

Durch Eingabe der Frequenznummer des Senders mit der Zifferntaste der Fernbedienung kann der entsprechende Sender direkt übersprungen und wiedergegeben werden; durch Eingabe der voreingestellten Sendernummer mit der Fernbedienung kann der gespeicherte Sender übersprungen und wiedergegeben werden.

Wichtiger Hinweis: Die Stimme des Senders kann sich während des Ladevorgangs aufgrund von Interferenzen verschlechtern; Sie können versuchen, den Ladevorgang zu unterbrechen und das Discolicht auszuschalten, um besser zu hören.

USB/MicroSD(TF)-Karten-Wiedergabe

Kopieren Sie die Musik im MP3-Format auf eine USB- oder microSD-Karte (max. 32 GB), bevor Sie mit der Wiedergabe beginnen, und stecken Sie die Karte in den Steckplatz an der Oberseite des Geräts. Schalten Sie das Gerät ein und drücken Sie die Modustaste, um den USB- oder microSD-Wiedergabemodus aufzurufen; der Lautsprecher liest das Gerät automatisch aus und gibt die Musik nach einigen Sekunden aus.

Drücken Sie im USB-/microSD-Karten-Wiedergabemodus die vorherige/nächste Taste, um den Titel zu wechseln. Halten Sie die vorherige/nächste Taste gedrückt, um den aktuellen Titel schnell vor- bzw. zurückzuspulen, und kehren Sie nach dem Loslassen der Taste zur normalen Wiedergabe zurück. Drehen Sie den Lautstärkereglern, um die Lautstärke zu erhöhen oder zu verringern; drücken Sie die Wiedergabe-/Pause-Taste, um die Musik abzuspielen oder anzuhalten; drücken Sie wiederholt die Wiederholungstaste auf der Fernbedienung, um den Wiedergabemodus zwischen "Repeat One" und "Repeat All" umzuschalten; drücken Sie die Zifferntaste auf der Fernbedienung, um den Musiktitel schnell auszuwählen; drücken Sie die U/SD-Taste auf der Fernbedienung, um den Wiedergabemodus zwischen USB und microSD zu wechseln.

Anmerkung:

- a. Die Verwendung eines USB-Verlängerungskabels für die Verbindung mit einem USB-Gerät wird nicht empfohlen, da dies zu Datenverlusten während der Übertragung und zu Störgeräuschen führen kann.
- b. Das maximal unterstützte USB/microSD-Gerät ist bis zu 32G.
- c. Das unterstützte Musikdateiformat ist MP3/WMA/WAV/FLAC, aber es werden nicht alle Formate garantiert.
- d. Der USB- und microSD-Wiedergabemodus ist nur verfügbar, wenn das Gerät angeschlossen ist.

LINE IN/AUX IN

Verbinden Sie mit dem mitgelieferten Audiokabel die AUX-Buchse an der Oberseite des Lautsprechers mit dem Line-Out oder der Kopfhörerbuchse eines anderen externen Audioplayers wie z. B. einem MP3-Player usw. Schalten Sie den Lautsprecher ein und drücken Sie kurz die Modustaste, um den AUX IN-Wiedergabemodus aufzurufen; wählen Sie die Musik von Ihrem externen Audioplayer aus und spielen Sie sie ab, dann wird der Ton über den Lautsprecher ausgegeben.

Hinweise:

1. Im AUX IN-Modus befindet sich die Hauptsteuerung auf der Seite Ihres externen Audioplayers. Sie können die Lautstärke jedoch auch auf der Lautsprecherseite erhöhen oder verringern.

Karaoke

Das Gerät verfügt über eine Karaoke-Funktion. Sie können Lieder über einen kabelgebundenen oder drahtlosen Mikrofoneingang aufnehmen und singen. Halten und drehen Sie den unteren Teil des mitgelieferten drahtlosen Mikrofons gegen den Uhrzeigersinn, um das Batteriefach zu öffnen. Legen Sie 2 Stück Trockenbatterien der Größe AA (nicht im Lieferumfang enthalten) entsprechend der korrekten positiven und negativen Polarität ein, drehen Sie dann den unteren Teil des Mikrofons im Uhrzeigersinn, um das Batteriefach zu schließen. Schieben Sie den ON/OFF-Schalter in die On-Position, um das Mikrofon einzuschalten. Der Lautsprecher wird nach ein paar Sekunden automatisch mit dem drahtlosen Mikrofon gekoppelt. Stellen Sie die Lautstärke des Mikrofonausgangs auf der Oberseite des Geräts ein, dann können Sie mit dem Singen beginnen. Das Gerät verfügt auch über eine Eingangsbuchse für ein kabelgebundenes Mikrofon. Schließen Sie das kabelgebundene Mikrofon (nicht im Lieferumfang enthalten) an die 6,3-mm-Buchse an und schalten Sie dann das Mikrofon zum Singen ein.

Mikrofon-Ausgangslautstärke und Echo: Drehen Sie den Mikrofon-Lautstärkeregler auf der Oberseite des Geräts, um die Lautstärke des Mikrofonausgangs einzustellen; drücken Sie wiederholt die Menütaste auf der Oberseite des Geräts, um die Optionen zur Einstellung des Echoeffekts aufzurufen; drehen Sie den Hauptlautstärkeregler, um den Echo-Ausgangspegel richtig einzustellen. (EC=Mikrofon-Echo, empfohlene Einstellungen: Mikro-Lautstärke =12; Echo=6)

Mikrofonausgangs-Prioritätsfunktion: Wenn Sie die Funktion auf dem oberen Bedienfeld aktivieren, indem Sie die Prioritätstaste drücken, wird die Karaoke-Stimme vorrangig aus dem Lautsprecher ausgegeben (und überdeckt die Hintergrundmusik); nach Beendigung des Gesangs wird automatisch wieder die Hintergrundmusik ausgegeben.

Hinweise

- a. Wenn Sie die Lautstärke bzw. das Echo auf einen hohen Pegel einstellen, kann aufgrund von Überlastung und Verzerrung des Mikrofons ein starkes Geräusch aus dem Lautsprecher kommen. Dies ist keine Fehlfunktion. Erhöhen Sie daher die Einstellungen langsam und schalten Sie das Mikrofon wieder aus, um es erneut zu versuchen, falls ein solches Geräusch auftritt.
- b. Sie können die Karaoke-Funktion nutzen und gleichzeitig Musik hören; falls Sie die Karaoke-Lautstärke erhöhen und die Hintergrundmusik verringern möchten, können Sie versuchen, die separate Mikrofonlautstärke und den Hauptlautstärkeregler einzustellen.
- c. Bitte schalten Sie das Mikrofon aus, wenn Sie es neben den Lautsprecher stellen, da es sonst zu starken Geräuschen kommt.
- d. Es ist möglich, mit dem drahtlosen und dem kabelgebundenen Mikrofon gleichzeitig zu singen.
- e. Der maximale Arbeitsabstand des drahtlosen Mikrofons beträgt ca. 25 Meter vom Lautsprecher entfernt und ohne Hindernis dazwischen. Empfohlener Arbeitsabstand innerhalb von 10 Metern.
- f. Wenn die rote LED-Anzeige am drahtlosen Mikrofon blinkt, bedeutet dies, dass die Batterieleistung niedrig ist und Sie daran erinnert werden, sie durch eine neue zu ersetzen. Die verbleibende Batterieleistung kann je nach Qualität der Trockenbatterie noch ca. 2 Stunden arbeiten und unterstützen.
- g. Die Stummschaltfunktion ist bei drahtlosen Mikrofonen nicht verfügbar, sondern entspricht dem Ausschalten des Mikrofons, wenn Sie es einschalten.

Disco-Licht: Durch wiederholtes kurzes Drücken der Lichttaste auf der Oberseite kann das Disco-Licht des Lautsprechers eingeschaltet werden (8 Arten und Licht aus).

Stummschaltung des Lautsprechers: Durch kurzes Drücken der Stummschaltungstaste auf der Fernbedienung wird der Lautsprecher stumm geschaltet; durch erneutes Drücken oder Drehen des Lautstärkereglers wird die Ausgabe wieder aufgenommen.

EQ- und Höhen-/Bass-Einstellung: Durch wiederholtes kurzes Drücken der EQ-Taste auf der Oberseite oder der Fernbedienung kann der voreingestellte EQ (FLAT/POP/ROCK/JAZZ/CLASSIC) ausgewählt und eingestellt werden; durch wiederholtes kurzes Drücken der Menütaste auf der Oberseite können die Höhen- oder Bassoptionen aufgerufen werden; durch Drehen des Hauptlautstärkereglers kann der Ausgangspegel sofort eingestellt werden. Diese Funktion funktioniert im Bluetooth/FM/USB/microSD/LINE IN-Modus.



Fernbedienung: Das Gerät verfügt über eine einfache Fernbedienung, die ähnlich funktioniert wie die oben beschriebene.

Fehlersuche

1. Das Gerät lässt sich nicht einschalten.
 - a. Bitte laden Sie das Gerät auf und versuchen Sie es erneut.
 - b. Prüfen Sie, ob das Gerät richtig angeschlossen wurde.
 - c. Wenden Sie sich bitte an den Kundendienst, wenn das Problem weiterhin besteht.
2. Im Bluetooth-Modus erfolgt keine oder eine unterbrochene Tonausgabe.
 - a. Bitte schalten Sie Bluetooth aus und koppeln Sie den Lautsprecher erneut.
 - b. Stellen Sie Ihr Bluetooth-Gerät näher an den Lautsprecher.
3. Kein FM-Sender verfügbar oder Hintergrundgeräusche in FM.
 - a. Bitte stellen Sie einen anderen UKW-Sender zum Hören ein.
 - b. Versuchen Sie, das Gerät in der Nähe des Fensters aufzustellen, um einen besseren Empfang zu erhalten.
4. Der Lautsprecher kann die Musik von einer USB- oder microSD-Karte nicht auslesen.
 - a. Prüfen Sie, ob Sie die USB- oder microSD-Karte richtig in den Steckplatz einstecken.
 - b. Bitte prüfen Sie, ob das Audioformat MP3/WMA/WAV/FLAC ist.

Spezifikation:

- Audiostreaming über Bluetooth (A2DP)
- Musikwiedergabezeit ~4 Stunden
- Dualer 6,5-mm-Mikrofoneingang
- Karaoke-Funktion mit kabellosem UHF Mikrophon
- Mehrfarbige LED-Beleuchtung mit besonderen Lichteffekten
- Leistung: 6.000 W P.M.P.O.
- Drahtloses Mikrophon im Lieferumfang enthalten
- AUX IN
- USB-Steckplatz
- Equalizer
- MP3-Player microSD (bis zu 32 GB)
- Bass-/Höhenregulierung
- Dualer 6,5-Zoll-Tieftöner und dualer 1-Zoll-Hochtöner
- TWS-Funktion
- FM-Radio: 87,5~108,0 MHz
- Eingebauter, wiederaufladbarer Akku: 7,4 V, 3,6 Ah
- Ladezeit: 6~8 Stunden
- Zubehör: 1 x Netzkabel, 1 x AUX-Kabel, 1 x Fernbedienung, 1 x kabelloses UHF Mikrophon
- Stromquelle: 100 V~ 240 V~ 50/60 Hz
- Abmessungen: 28,5 x 28 x 63 cm
- Gewicht: 6,8 kg

(Die obigen Spezifikationen können sich ohne vorherige Ankündigung ändern.)

Warunki gwarancji

Prosimy o dokładne zapoznanie się z niniejszymi warunkami gwarancji, postępowanie zgodnie z zasadami prawidłowej eksploatacji towaru (zwanego dalej **Towarem**), opisanymi w szczególności w instrukcji do Towaru, użytkowanie Towaru zgodnie z przeznaczeniem, ścisłe przestrzeganie warunków gwarancji oraz staranne przechowywanie niniejszego dokumentu przez cały okres użytkowania Towaru. Znajomość i stosowanie zasad określonych w warunkach gwarancji oraz instrukcji do Towaru jest podstawą długotrwałego korzystania z Towaru. Znajdujące się w produkcji wynosi 6 miesięcy od daty zakupu.

§ 1. Zakres gwarancji

1. Gwarant (tj. 2N-Everpol sp. z o.o. z siedzibą w Warszawie, ul. Puławska 403A, 02-801 Warszawa, NIP:9512079512, KRS: 0000164987, XIII Wydział Gospodarczy KRS Sądu Rejonowego dla m. st. Warszawa, kapitał zakładowy 50 tys. zł), na zasadach określonych w niniejszych warunkach gwarancji, udziela gwarancji na Towar (w szczególności z zastrzeżeniem §3 ust.2) tylko kupującemu (tj. konsumentowi albo osobie fizycznej zawierającej umowę bezpośrednio związaną z jej działalnością gospodarczą, gdy z treści tej umowy wynika, że nie posiada ona dla niej charakteru zawodowego).
2. Odpowiedzialność z tytułu gwarancji obejmuje tylko wady materiałowe i wynikające z procesu produkcji powstałe z przyczyn tkwiących w Towarze, w momencie jego wydania kupującemu.
3. Z tytułu gwarancji przysługuje prawo do bezpłatnej naprawy lub wymiany Towaru.
4. W przypadku uznania reklamacji Gwarant może dokonać wymiany, gdy kupujący żąda naprawy, lub Gwarant może dokonać naprawy, gdy kupujący żąda wymiany, jeżeli naprawa albo wymiana wybrana przez kupującego jest niemożliwa lub wymagałoby nadmiernych kosztów dla Gwaranta. Przy ocenie nadmierności kosztów dla Gwaranta uwzględnia się wszelkie okoliczności sprawy. Jeżeli naprawa i wymiana są niemożliwe lub wymagałyby nadmiernych kosztów dla Gwaranta, może on odmówić naprawy albo wymiany - w takim przypadku Gwarant zastrzega sobie prawo (według swojego wyboru) zaproponowania kupującemu obniżenie ceny albo odstąpienie od umowy.
5. Gwarancja obejmuje tylko obszar Rzeczypospolitej Polskiej i tylko Towar nabyty na terenie Rzeczypospolitej Polskiej, pochodzący z dystrybucji Gwaranta.
6. Kupującemu w przypadku braku zgodności Towaru z umową z mocy prawa przysługują środki ochrony prawnej ze strony i na koszt sprzedawcy; gwarancja nie ma wpływu na te środki ochrony prawnej. Gwarancja nie wyłącza, nie ogranicza ani nie zawieszają uprawnień kupującego wynikających z bezwzględnie obowiązujących przepisów prawa.

§ 2. Okres gwarancji

1. Okres gwarancji na Towar, z zastrzeżeniem §3 ust. 2, wynosi 24 miesiące (z wyjątkiem baterii w Towarze - jeśli występuje - na którą udzielana jest 6 miesięczna gwarancja).
2. Okres gwarancji liczony jest od daty wydania Towaru kupującemu, która to data jest potwierdzana na dokumencie wydania.

§ 3. Wyłączenia

1. Gwarancja nie obejmuje w szczególności wad Towaru wynikłych z:
 - nieprzestrzegania przez kupującego instrukcji do Towaru, w szczególności, w zakresie eksploatacji i okresowej konserwacji Towaru;
 - zastosowania przez kupującego do czyszczenia Towaru środków czyszczących lub konserwujących niezgodnych z instrukcją do Towaru;
 - montażu Towaru przez kupującego w sposób niezgodny z instrukcją do Towaru;
 - przechowywania lub transportu Towaru przez kupującego z instrukcją do Towaru;**Uwaga!** Towar należy przechowywać w szczególności w pomieszczeniach zamkniętych, suchych, wentylowanych i nienastłonecznionych;
- użytkowania Towaru przez kupującego w sposób niezgodny z jego przeznaczeniem;
- samodzielnej, nieautoryzowanej przez Gwaranta, zmiany lub naprawy Towaru przez kupującego.
2. Gwarancja – w zależności od grupy do której należy Towar – nie obejmuje wymienionych poniżej elementów Towaru:
 - a) w grupie pojazdów elektrycznych marki PRIME3: opony, dętka, łożyska, klocki hamulcowe, linki hamulcowe, żarówki, dzwonki mechaniczne, rączki,
 - b) w grupie AUDIO: przewody USB/AUX, elementy montażowe, rączki, kółka, nożki, maskownice, pilot, mikrofony przewodowe,
 - c) w grupie MAŁE AGD: sznury przyłączeniowe, sieciowe, żarówki, elementy szklane (np. dzbanki, talerze), filtry, ślimaki, mieszkadła, nasadki, rozdrabniacze.
 - d) w grupie CAR AUDIO / Rejestratory: bezpieczniki, wiązki fabryczne, wymienne panele, ramki / przewody USB, zasilacze, uchwyty.

Warunki gwarancji

§ 4. Procedura reklamacyjna

1. W przypadku stwierdzenia wady Towaru, kupujący przed dokonaniem zgłoszenia reklamacyjnego powinien się upewnić czy postępował zgodnie z instrukcją do Towaru.

Uwaga! Kupujący powinien dokonywać oceny Towaru, m.in. w zakresie wyglądu zewnętrznego, po jego rozpakowaniu. W przypadku stwierdzenia jakichkolwiek wad Towaru, kupujący powinien powstrzymać się od jakichkolwiek dalszych działań (np. użytkowania Towaru) i poinformować Gwaranta o stwierdzonych wadach (poprzez złożenie zgłoszenia reklamacyjnego).

2. Zgłoszenie reklamacji z tytułu gwarancji zaleca się dokonać niezwłocznie, np. w terminie 7 dni od daty zauważenia wady.
3. Zgłoszenie reklamacji można dokonać, m.in. pisemnie na adres serwisu Gwaranta (SERWIS 2N-Everpol Sp. z o.o., ul. Puławska 12, 05-532 Baniocha, tel. +48 22 688 08 33, serwis@2n-everpol.pl) lub za pośrednictwem dedykowanego formularza do obsługi reklamacji w systemie „od drzwi - do drzwi”: <https://dpd-pl.2n-everpol.pl/>

Pisemne zgłoszenie reklamacyjne powinno zawierać:

- oznaczenie reklamowanego Towaru; zaleca się wskazać w zgłoszeniu reklamacyjnym w szczególności następujące informacje:
- nazwa Towaru, model, dane pozwalające na zidentyfikowanie Towaru,
- opis wady,
- datę stwierdzenia wady,
- ilość reklamowanego Towaru,
- imię i nazwisko, adres, e-mail oraz telefon do osoby, z którą należy się kontaktować w sprawie zgłoszenia reklamacyjnego,
- adres, pod którym znajduje się reklamowany Towar,
- zdjęcia lub nagrania wideo dokumentujące zgłaszaną wadę,
- uprawdopodobnienie okoliczności zakupu reklamowanego Towaru (np. paragon, fakturę, itd.).

W celu przyspieszenia procesu rozpatrywania reklamacji zaleca się od razu w zgłoszeniu reklamacyjnym przekazać Gwarantowi w szczególności wszystkie informacje, materiały i dokumenty określone w niniejszych warunkach gwarancji.

W przypadku transportu reklamowanego Towaru zaleca się korzystać z oryginalnego opakowania Towaru, którego zadaniem jest m.in. zabezpieczać Towar na czas transportu.

4. Gwarant ustosunkuje się do reklamacji konsumenta w terminie 14 dni od dnia otrzymania reklamacji. W przypadku uznania reklamacji wykonanie obowiązków wynikających z gwarancji (określonych w §1 ust. 3 Warunków gwarancji) nastąpi w rozsądnym czasie od chwili, w której Gwarant został poinformowany przez kupującego o braku zgodności Towaru z umową, i bez nadmiernych niedogodności dla kupującego, uwzględniając specyfikę Towaru oraz cel, w jakim kupujący go nabył.

Szybkość realizacji procedury reklamacyjnej zależy m.in. od zapewnienia Gwarantowi przez kupującego możliwości sprawdzenia Towaru oraz wykonania innych czynności określonych warunkami gwarancji.

Godziny pracy serwisu Gwaranta w dni robocze: poniedziałek - piątek, 10.00 - 16.00.

5. Zaleca się powstrzymanie od korzystania z wadliwego Towaru.
6. Zaleca się przygotować Towar do procedury reklamacyjnej, np. przez oczyszczenie Towaru.
7. Gwarant zastrzega sobie prawo naprawy Towaru w miejscu jego użytkowania przez kupującego.
8. Gwarant nie ma obowiązku zapewnienia Towaru zastępczego na czas procedowania reklamacji.
9. Wadliwy Towar, który wymieniono, staje się własnością Gwaranta. Kupujący nie jest zobowiązany do zapłaty za zwykłe korzystanie z Towaru, który następnie został wymieniony.
10. Do wykonania obsługi gwarancyjnej upoważniony jest Gwarant i podmioty specjalistyczne/autoryzowane serwisy wskazane przez Gwaranta.

Ważne instrukcje dotyczące bezpieczeństwa

Model: APS61, System audio z Bluetooth i karaoke

**Przeostroga:**

Aby zmniejszyć ryzyko porażenia prądem, nie wolno demontować pokrywy ani tylnej części urządzenia. Wewnątrz urządzenia nie znajdują się elementy przeznaczone do samodzielnej naprawy przez użytkownika. Konserwacją i naprawą sprzętu zajmują się wyłącznie wykwalifikowani pracownicy serwisu.

Objaśnienie symboli graficznych:

Symbol błyskawicy zakończonej strzałką umieszczonej w trójkącie równobocznym ostrzega użytkownika przed nieizolowanym „niebezpiecznym napięciem” w obrębie obudowy urządzenia, które może osiągnąć wielkość grożącą porażeniem prądem elektrycznym.



Znak wykrzyknika w trójkącie równobocznym ostrzega użytkownika, że w tym momencie przedstawione są ważne informacje dotyczące obsługi i konserwacji sprzętu w dokumentacji, dołączonej do urządzenia.

Prosimy o przeczytanie tej instrukcji przed przystąpieniem do obsługi urządzenia, aby zapoznać się z jego funkcjami i wykorzystać je zgodnie z przeznaczeniem. Zapewni to długotrwałą, bezawaryjną obsługę urządzenia i przyjemność z użytkowania.

Ważne informacje

- Należy zachować instrukcję obsługi oraz informacje dotyczące bezpieczeństwa w celu wykorzystania ich w przyszłości.
- Nie należy dopuszczać do tego, aby na urządzenie kapąła lub wylewała się ciecz. Nie wolno też używać go w wilgotnych miejscach, jak np. łazienka.
- Nie wolno instalować tego urządzenia w następujących miejscach:
- Wystawionych na bezpośrednie działanie promieni słonecznych lub w pobliżu grzejników.
- Kłaść go na wierzchu innego sprzętu stereofonicznego który wydziela ciepło.
- Blokując wentylację lub w zapyłonym miejscu.
- W miejscach narażonych na ciągłe drgania.
- W miejscach o wysokiej wilgotności.
- Nie wolno stawiać urządzenia w pobliżu świec lub otwartego ognia.
- Urządzenia można używać wyłącznie w sposób opisany w niniejszej instrukcji.
- Przed pierwszym włączeniem zasilania należy upewnić się, że zasilacz został prawidłowo podłączony.
- Pamięć USB podłącza się bezpośrednio lub przy użyciu przedłużacza USB o długości do 25 cm.

Ze względów bezpieczeństwa nie należy demontować obudów ani uzyskiwać dostępu do wnętrza urządzenia. Urządzenie powinno być naprawiane przez wykwalifikowany personel serwisu.

Nie wolno rozkręcać urządzenia ani otwierać jego obudowy, gdyż wewnątrz nie ma żadnych części, które mogłyby być naprawiane przez użytkownika. Konserwacją i naprawą sprzętu zajmują się wyłącznie wykwalifikowani pracownicy serwisu.

INSTRUKCJE DOTYCZĄCE BEZPIECZEŃSTWA

- 1. Przeczytać instrukcje** — przed korzystaniem z urządzenia należy przeczytać całość instrukcji obsługi oraz informacje o bezpieczeństwie.
- 2. Zachować instrukcje** — należy zachować instrukcje użytkowania i obsługi w celu wykorzystania ich w przyszłości.
- 3. Przestrzegać ostrzeżeń** — należy postępować zgodnie z wszystkimi ostrzeżeniami zamieszczonymi na urządzeniu oraz zgodnie z instrukcją obsługi.
- 4. Przestrzegać instrukcji** — należy postępować zgodnie z instrukcją obsługi oraz wskazówkami dla użytkownika.
- 5. Instalacja** — należy ustawić urządzenie zgodnie z instrukcjami producenta.
- 6. Źródła zasilania** – urządzenie powinno być zasilane wyłącznie ze źródeł o parametrach podanych na oznaczeniach na kablu zasilania. Jeżeli użytkownik nie jest pewien, jakiego rodzaju zasilaniem dysponuje w domu, powinien skontaktować się ze sprzedawcą urządzenia lub lokalnym dostawcą energii elektrycznej.
- 7. Uziemienie lub polaryzacja zasilania** — urządzenie nie musi być uziemione. Należy upewnić się, że wtyczka jest do końca włożona do gniazdka sieciowego lub przedłużacza, aby nie dopuścić do odstonięcia bolców lub styków. Niektóre wersje urządzenia mogą być wyposażone w spolaryzowaną wtyczkę prądu przemiennego (z jednym bolcem szerszym). Tę wtyczkę można włożyć do gniazdka sieciowego tylko w jeden sposób. Jest to funkcja zabezpieczająca. Jeśli nie można włożyć wtyczki do gniazda, należy spróbować ją odwrócić. Jeśli wtyczka nadal nie pasuje do gniazda, należy zlecić elektrykowi jego wymianę. Nie wolno zdejmować zabezpieczeń z wtyczki spolaryzowanej. Gdy korzysta się z przedłużacza lub kabla zasilania innego niż dostarczony razem z urządzeniem, powinny mieć właściwe wtyczki oraz atest bezpieczeństwa wymagany w danym kraju.
- 8. Zabezpieczenie kabla zasilania** — kable zasilania należy poprowadzić w taki sposób, aby nie można było po nich chodzić, przycisnąć lub przyciąć postawionymi przedmiotami. Zwrócić szczególną uwagę na wtyczki, gniazdka sieciowe i miejsca, w którym kable są wyprowadzone z urządzenia.
- 9. Przekładanie** — nie wolno przekładać gniazdek ściennych, przedłużaczy i rozdzielaczy elektrycznych, ponieważ grozi to wybuchem pożaru lub porażeniem prądem elektrycznym.
- 10. Wentylacja** — urządzenie musi być poprawnie wentylowane. Nie wolno ustawiać urządzenia na łóżku, sofie lub podobnych powierzchniach. Nie wolno przykrywać urządzenia obrusami, serwetkami, gazetami itd.
- 11. Ciepło** — nie ustawiać urządzenia w pobliżu źródeł ciepła, takich jak grzejniki, promienniki, piece lub innych urządzeń (również wzmacniacze) wytwarzających ciepło. Nie stawiać na urządzeniu zapalonych świec i innych źródeł otwartego ognia.
- 12. Woda i wilgoć** — aby zmniejszyć zagrożenie pożarem lub porażeniem elektrycznym, nie wolno narażać urządzenia na bezpośrednie działanie deszczu, wody i wilgoci, jak np. w saunie czy w łazience. Nie używać niniejszego urządzenia w pobliżu wody, na przykład obok wanny, umywalki, zlewu kuchennego lub balii, w wilgotnej piwnicy lub w pobliżu basenu (lub w podobnych miejscach).
- 13. Przedmioty i ciecz w urządzeniu** — nie należy wciskać jakichkolwiek przedmiotów przez otwory urządzenia, ponieważ mogą one zetknąć się z punktami niebezpiecznego napięcia i podzespołami, co może wywołać pożar lub porażenie prądem. Pod żadnym pozorem nie należy rozlewać jakichkolwiek cieczy na powierzchni urządzenia. Nie wolno kłaść na wierzchu urządzenia przedmiotów zawierających ciecz.
- 14. Czyszczenie** — należy zawsze odłączyć urządzenie od gniazdka sieciowego przed czyszczeniem. Kurz dookoła głośnika można usunąć suchą szmatką. Jeśli do czyszczenia ma być użyty aerozol, nie należy kierować rozpylanego strumienia bezpośrednio na urządzenie, ale na szmatkę. Należy uważać, aby nie uszkodzić jednostek napędowych.
- 15. Wyposażenie dodatkowe** — nie wolno używać akcesoriów, które nie są dopuszczone przez producenta, gdyż mogą stwarzać zagrożenie.

- 16. Akcesoria** — nie wolno ustawiać urządzenia na niestabilnym wózku, stojaku, statywie, wsporniku czy stole. Urządzenie może ulec przewróceniu i uszkodzeniu oraz spowodować poważne obrażenia u dziecka lub osoby dorosłej. Należy używać wyłącznie wózków, stojaków, statywów, wsporników i stołów określonych przez producenta albo sprzedawanych wraz z urządzeniem. Montaż urządzenia należy przeprowadzać zgodnie z instrukcjami producenta, przy użyciu zestawu montażowego zalecanego przez producenta.
- 17. Przenoszenie urządzenia** — urządzenie umieszczone na wózku należy przesuwać bardzo ostrożnie. Gwałtowne zatrzymanie, zbyt duża siła lub nierówne powierzchnie mogą spowodować przewrócenie wózka wraz z urządzeniem.
- 18. Okres nieużywania urządzenia** — kabel zasilania urządzenia należy odłączyć od gniazdka sieciowego w trakcie burz z wyładowaniami atmosferycznymi lub gdy urządzenie nie będzie używane przez dłuższy czas.
- 19. Serwisowanie** – nie należy próbować własnoręcznego przeglądania urządzenia. Otwieranie pokrywy może spowodować kontakt z niebezpiecznym napięciem i narazić użytkownika na inne niebezpieczeństwa. Konserwacją i naprawą sprzętu zajmują się wyłącznie wykwalifikowani pracownicy serwisu.
- 20.** Gdy urządzenie nie jest używane, należy odłączyć jego wtyczkę zasilania od gniazdka sieciowego. Gdy urządzenie jest podłączone do źródła zasilania, znajduje się w trybie czuwania i nie jest całkowicie wyłączone.
- 21. Części zamienne** — przy wymianie części należy sprawdzić, czy pracownik serwisu użył części zamiennych zalecanych przez producenta lub też czy części są identyczne jak część oryginalna. Dokonywanie wymiany na niezatwierdzone części grozi wybuchem pożaru, porażeniem prądem elektrycznym lub innymi niebezpieczeństwami.
- 22. Główne bezpieczniki** — aby zabezpieczyć w sposób ciągły urządzenie przed pożarem, należy używać bezpieczników właściwego typu i parametrów. Parametry bezpieczników w danym zakresie napięcia są zaznaczone na urządzeniu.
- 23.** Nie wolno zwiększać głośności przy słuchaniu części utworu o małej głośności lub przy braku wejściowego sygnału audio. W innym wypadku może dojść do uszkodzenia urządzenia przy gwałtownym wzroście natężenia sygnału.
- 24.** Jedynym sposobem całkowitego odłączenia urządzenia od źródła zasilania jest odłączenie kabla zasilania z gniazdka zasilania lub z urządzenia. Gniazdko sieciowe lub wejście kabla zasilania do urządzenia muszą być zawsze dostępne w trakcie używania produktu.
- 25.** Urządzenie powinno się ustawić w pobliżu gniazdka sieciowego lub przedłużacza i w taki sposób, aby zawsze było dostępne.
- 26.** Maksymalna temperatura otoczenia urządzenia wynosi 35°C.
- 27.** Wskazówki dotyczące wyładowań elektrostatycznych — jeśli działanie urządzenia jest zakłócone wyładowaniami elektrostatycznymi, należy go wyłączyć i ponownie włączyć lub przenieść urządzenie w inne miejsce.
- 28. Bateria**
- Baterie nie mogą być narażone na działanie nadmiernej ciepła, jak np. promieni słonecznych, ognia itp.
 - Podczas utylizacji baterii należy zwrócić uwagę na aspekty ochrony środowiska.
 - Przeostrożność dotycząca używania baterii: aby nie dopuścić do rozszczelnienia baterii, które może spowodować obrażenia ciała bądź uszkodzenie urządzenia:
 - Podczas wkładania baterii zwrócić uwagę na jej polaryzację (+ i -).
 - Nie wolno jednocześnie używać różnych baterii — starych i nowych baterii standardowych i alkalicznych itd.
 - Należy wyjąć baterie z urządzenia, gdy nie będzie ono używane przez dłuższy czas.

Uwaga dotycząca ERP2 (urządzeń związanych z energią)

Niniejsze urządzenie z ekoprojektem spełnia wymagania etapu 2 Rozporządzenia Komisji (WE) nr 1275/2008 wprowadzającego dyrektywę 2009/125/WE dotyczącą poboru energii przez wyłączone i znajdujące się w trybie czuwania urządzenia elektroniczne do zastosowań biurowych i domowych.

Po upływie 60 minut bez wejściowego sygnału audio urządzenie automatycznie przejdzie w tryb czuwania. Informacje na temat przywrócenia normalnego działania można znaleźć w instrukcji obsługi.

Ważne informacje:

Niniejsze urządzenie jest wyposażone w funkcję trybu oszczędzania energii: jeśli w ciągu 60 minut nie jest podawany do niego żaden sygnał wejściowy, urządzenie automatycznie przejdzie w tryb czuwania w celu oszczędzania energii (norma ERP 2). Należy zauważyć, że ustawienie niskiego poziomu głośności w źródle sygnału audio może zostać rozpoznane jako stan „braku sygnału audio”: może to mieć wpływ na zdolność wykrywania sygnału z urządzenia oraz spowodować automatycznie przejście w tryb czuwania. W takim wypadku należy przywrócić transmisję sygnału audio lub zwiększyć poziom głośności w źródle sygnału audio (odtwarzaczu MP3 itp.) w celu wznowienia odtwarzania. Jeśli problem nie ustąpi, prosimy o kontakt z lokalnym serwisem.

Urządzenie nie powinno być używane przez osoby (w tym dzieci) o obniżonej sprawności fizycznej, sensorycznej lub umysłowej oraz osoby z niewystarczającą wiedzą i doświadczeniem, jeśli nie znajdują się one pod nadzorem osoby odpowiedzialnej za ich bezpieczeństwo i nie zostały poinstruowane jak bezpiecznie używać urządzenia. Obecność osób dorosłych jest wymagana, jeśli urządzenie obsługują dzieci; pozwoli to zapewnić bezpieczne korzystanie z urządzenia.

1. Nie wolno pozostawić pracującego urządzenia bez nadzoru! Należy wyłączać urządzenie, gdy nie jest ono używane, nawet przez krótką chwilę.
2. Urządzenia nie wolno obsługiwać za pośrednictwem zewnętrznego zegara z układem czasowym ani za pomocą oddzielnego układu ze zdalnym sterowaniem.
3. Aby uniknąć zagrożenia w przypadku uszkodzenia przewodu zasilania, wymianę powinien wykonać producent, autoryzowany punkt serwisowy lub inna osoba posiadająca odpowiednie kwalifikacje.
4. Przed przystąpieniem do obsługi urządzenia należy sprawdzić, czy jego napięcie odpowiada napięciu występującemu w lokalnej sieci zasilającej.
5. Nie wolno zakrywać otworów wentylacyjnych urządzenia np. gazetami, obrusem, zasłonami itp. Należy upewnić się, że nad urządzeniem jest co najmniej 20 cm wolnego miejsca, a z każdej jego strony — co najmniej 5 cm.
6. Nie należy dopuszczać do tego, aby na urządzenie kapłała lub wylewała się ciecz, ani nie należy stawiać na nim przedmiotów wypełnionych cieczami, takich jak wazy.
7. Aby uniknąć pożaru lub porażenia prądem elektrycznym, należy chronić urządzenie przed gorącymi miejscami, działaniem deszczu, wilgoci i pyłu.
8. Nie wolno ustawiać urządzenia w pobliżu jakichkolwiek źródeł wody, np. kranów, wanien, pralek lub basenów pływakich. Urządzenie należy ustawić na równym i stabilnym podłożu.
9. Nie wolno narażać urządzenia na silne pole magnetyczne.
10. Nie wolno stawiać urządzenia bezpośrednio na wzmacniaczu lub amplii tuner ze.
11. Nie wolno stawiać urządzenia w wilgotnym miejscu, gdyż wilgoć ma szkodliwy wpływ na podzespoły elektryczne.
12. Po wniesieniu urządzenia z zimnego do ciepłego miejsca lub do wilgotnego miejsca może dojść do kondensacji wilgoci na soczewce wewnątrz odtwarzacza. W takiej sytuacji urządzenie nie będzie działać prawidłowo. Należy pozostawić włączone urządzenie na około jedną godzinę, aby umożliwić odparowanie wilgoci.

13. Nie wolno czyścić urządzenia rozpuszczalnikami chemicznymi, gdyż mogą one zniszczyć lakier obudowy. Urządzenie wyciera się czystą, suchą lub nieznacznie zwilżoną ściereczką.
14. Podczas wyciągania wtyczki z gniazdka ściennego należy zawsze ciągnąć za wtyczkę, nigdy za kabel zasilania.
15. Gdy włączone urządzenie jest używane w pobliżu włączonego telewizora, może to być źródłem zakłóceń obrazu w postaci linii na ekranie. Zależy to od pasma fal transmisji TV. Nie oznacza to nieprawidłowego działania urządzenia ani telewizora. Jeśli są widoczne takie linie, należy odsunąć urządzenie od telewizora.
16. Wtyczka sieciowa jest używana do odłączania napięcia zasilającego i powinna być zawsze dostępna.

OSTRZEŻENIE

- **Używać zgodnie z instrukcją obsługi.**
- **Nie należy instalować urządzenia w pobliżu źródeł ciepła, takich jak grzejniki, rejestratory ciepła, piece lub inne urządzenia (w tym wzmacniacze) generujące ciepło.**
- **Czyścić wyłącznie suchą szmatką.**
- **Nie zakrywaj ani nie zasłaniaj otworów wentylacyjnych na obudowie głośników.**
- **Nie narażać urządzenia na kapanie lub zachlapanie.**
- **Należy używać wyłącznie oryginalnych akcesoriów określonych przez producenta.**
- **Ten produkt nie jest zabawką i może być używany przez dzieci wyłącznie pod nadzorem dorosłych.**
- **Nie należy wystawiać urządzenia na działanie nadmiernego ciepła, takiego jak promienie słoneczne, ogień itp.**
- **Nie używać podczas burzy.**
- **Nie należy narażać urządzenia na promieniowanie elektromagnetyczne.**
- **Aby zapobiec utracie słuchu, nie należy słuchać muzyki przez dłuższy czas.**
- **Należy pamiętać, aby nie używać urządzeń elektronicznych w odległości mniejszej niż 10 cm od rozrusznika serca.**


Deklaracja:

Niniejszym 2N-Everpol Sp. z o.o. oświadcza, że to urządzenie jest zgodne z wymogami i innymi odpowiednimi postanowieniami dyrektywy 2014/53 / UE. Pełną deklarację zgodności można uzyskać na stronie www.prime3.pl w zakładce produktu.



Jeśli na urządzeniu znajduje się znak przekreślonego kosza na śmieci, oznacza to, że produkt jest objęty postanowieniami dyrektywy europejskiej 2012/19/EU. Należy zapoznać się z wymaganiami dotyczącymi lokalnego systemu zbiórki odpadów elektrycznych i elektronicznych. Należy postępować zgodnie z lokalnymi przepisami. Nie wolno wyrzucać tego produktu razem ze zwykłymi odpadami domowymi. Prawidłowe usunięcie starego produktu zapobiegnie potencjalnym negatywnym skutkom dla środowiska naturalnego i zdrowia ludzkiego.



Urządzenie jest wyposażone w baterie objęte dyrektywą europejską 2006/66/EG. Baterii nie wolno wyrzucać razem z odpadami gospodarstwa domowego. Należy zapoznać się z lokalnymi przepisami dotyczącymi oddzielnej zbiórki baterii, ponieważ prawidłowa utylizacja zapobiegnie potencjalnym negatywnym skutkom dla środowiska naturalnego i zdrowia ludzkiego. Produkt został wyprodukowany z wysokiej jakości materiałów i podzespołów, które można poddać recyklingowi i ponownie użyć.



Produkt został wykonany z wysokiej jakości materiałów i podzespołów, które można poddać recyklingowi i ponownie użyć.

Właścicielem znaków towarowych i logo Bluetooth® jest firma Bluetooth SIG, Inc. USA.

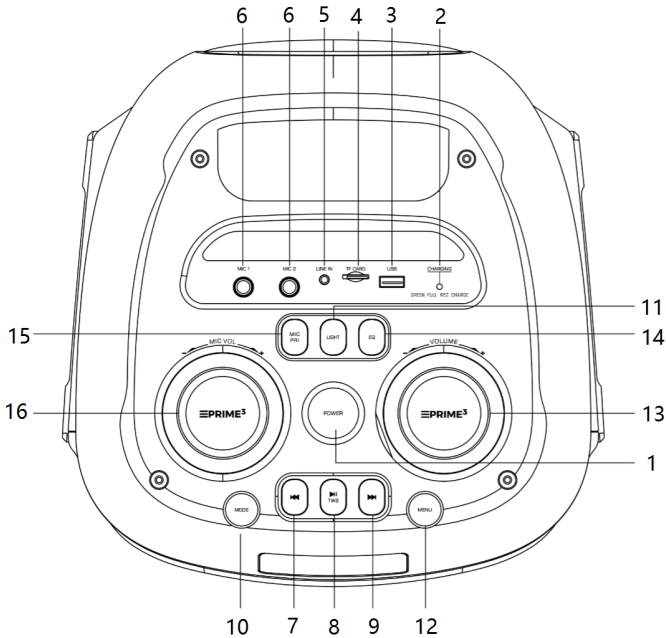


Użycie tych znaków i logo podlega licencji. Inne znaki i nazwy handlowe należą do odpowiednich właścicieli.

Dziękujemy za zakup naszego modelu, przed rozpoczęciem użytkowania urządzenia należy uważnie przeczytać tę instrukcję i zapoznać się z nią. Zachowaj instrukcję do wykorzystania w przyszłości.

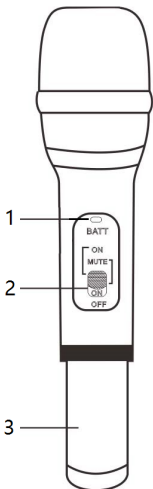
Dziękujemy za wybranie naszego produktu. Model ten posiada następujące główne cechy.

- Funkcja Bluetooth do strumieniowego odtwarzania dźwięku.
- Wbudowany akumulator.
- Radio PLL FM z pamięcią stacji
- Odtwarzanie z karty MicroSD (maks. obsługiwane urządzenie do 32 GB).
- Funkcja odtwarzania plików MP3.
- Funkcja odtwarzania Aux.
- Odtwarzanie przez USB.
- Funkcja karaoke (zawiera 1 x mikrofon bezprzewodowy; 2 x wejście mikrofonu przewodowego 6,3 mm, mikrofon przewodowy nie jest dołączony).



Lista elementów sterujących panelu

- | | |
|---|--|
| 1. Włączanie/wyłączanie zasilania | 10. Przycisk trybu |
| 2. Wskaźnik LED naładowania akumulatora | 11. Przycisk światła dyskotekowego LED |
| 3. Port USB | 12. Przycisk menu (T=treble, b=bass, EC=microphone echo) |
| 4. Gniazdo microSD | 13. Pokrętko regulacji głośności |
| 5. Gniazdo Aux-in/Line-in | 14. Przycisk korektora (EQ) |
| 6. Wejście mikrofonowe | 15. Przycisk priorytetu mikrofonu |
| 7. Poprzedni przycisk | 16. Pokrętko głośności mikrofonu. |
| 8. Odtwarzanie/pauza, przycisk TWS | |
| 9. Następny przycisk | |



Mikrofon bezprzewodowy

1. Wskaźnik LED zasilania
2. Włącznik/wyłącznik zasilania
3. Komora baterii

4. Wybierz i odtwarzaj muzykę na urządzeniu Bluetooth. Następnie dźwięk będzie odtwarzany przez głośnik.
5. Naciśnij przycisk poprzedni/następny, aby przełączyć odtwarzaną ścieżkę; obróć pokrętko głośności +/-, aby zwiększyć lub zmniejszyć głośność; naciśnij przycisk odtwarzania/pauzy, aby odtworzyć lub wstrzymać odtwarzanie muzyki;

Bluetooth TWS (TRUE WIRELESS STEREO): jeśli masz pod ręką dwa identyczne modele, umieść je blisko siebie (mniej niż 10 metrów); włącz zasilanie i przełącz na tryb Bluetooth na obu urządzeniach. Naciśnij i przytrzymaj (3 sekundy) przycisk TWS i włącz tryb TWS na jednym urządzeniu jako głośniku głównym, wyświetlacz pokaże "SLAU" i zacznie migać; po chwili urządzenie automatycznie sparuje się z innym głośnikiem. Napis "SLAU" na wyświetlaczu stanie się stabilny, co oznacza, że urządzenie zostało pomyślnie sparowane z innym głośnikiem. Wyszukaj i sparuj z głośnikiem, postępując zgodnie z powyższą operacją Bluetooth, wybierz muzykę do odtwarzania. Następnie można uzyskać dźwięk z obu głośników. Naciśnięcie i przytrzymanie przycisku TWS na dowolnym głośniku może wyłączyć tryb TWS.

Ważne:

- a. Odtwarzanie TWS jest dostępne tylko w trybie Bluetooth. Należy ponownie włączyć i sparować TWS w przypadku wyłączenia i włączenia zasilania, przełączenia trybu odtwarzania i z powrotem.
- b. W trybie TWS można regulować głośność itp. na jednym urządzeniu, ale kontroluje działanie obu głośników.
- c. W trybie odtwarzania TWS mogą występować niewielkie szумы tła, co jest normalne ze względu na bezprzewodową transmisję sygnału.
- d. W przypadku niepowodzenia spróbuj ponownie wykonać powyższą operację dla pary TWS.

Uwagi:

- a. Nie ma gwarancji, że wszystkie urządzenia Bluetooth zostaną pomyślnie sparowane ze względu na różną konstrukcję i markę.
- b. Najlepsza odległość robocza Bluetooth wynosi 10 metrów bez żadnych przeszkód.

Działanie radia FM

Przed rozpoczęciem słuchania radia spróbuj przesunąć urządzenie w pobliskie okna, aby uzyskać lepszy odbiór.

Automatyczne skanowanie i strojenie: Włącz urządzenie i naciśnij przycisk trybu, aby przejść do trybu FM, naciśnij przycisk odtwarzania/pauzy, aby przeskanować i zapisać dostępną stację. Naciśnij przycisk poprzedniej/następnej stacji, aby przełączyć dostępną zaprogramowaną stację. Naciśnij i przytrzymaj przycisk poprzedniej/następnej stacji przez 2 sekundy, aby przeskanować i odtworzyć dostępną stację w górę lub w dół. Obróć pokrętko głośności, aby zwiększyć lub zmniejszyć głośność wyjściową. Urządzenie może zapisać maksymalnie 64 zaprogramowane stacje.

Wprowadzenie numeru częstotliwości stacji za pomocą przycisku cyfr na pilocie zdalnego sterowania umożliwia bezpośrednie pomijanie i odtwarzanie odpowiedniej stacji; wprowadzenie numeru zaprogramowanej stacji za pomocą pilota zdalnego sterowania umożliwia pomijanie i odtwarzanie zapisanej stacji.

Ważna uwaga: odbiór nadawanej stacji może ulec pogorszeniu podczas ładowania z powodu zakłóceń; możesz spróbować wyłączyć ładowanie i wyłączyć światło dyskotekowe, aby uzyskać lepszy odbiór stacji.

Odtwarzanie kart USB/microSD(TF) Przed rozpoczęciem odtwarzania należy skopiować muzykę w formacie MP3 na urządzenie USB lub kartę microSD (maks. obsługiwane 32 GB), a następnie włożyć urządzenie do gniazda na górnym panelu urządzenia. Włącz urządzenie i naciśnij przycisk trybu, aby przejść do trybu odtwarzania z USB lub microSD; głośnik automatycznie odczyta urządzenie i po kilku sekundach rozpocznie odtwarzanie muzyki.

W trybie odtwarzania z karty USB/microSD naciśnij przycisk poprzedni/następny, aby przełączyć ścieżkę. Naciśnij i przytrzymaj przycisk poprzedni/następny, aby szybko przewinąć do tyłu/do przodu bieżący utwór, a po zwolnieniu przycisku powróć do normalnego odtwarzania. Obróć pokrętko głośności, aby zwiększyć lub zmniejszyć poziom głośności; naciśnij przycisk odtwarzania/pauzy, aby odtworzyć lub wstrzymać odtwarzanie muzyki; naciśnij kilkakrotnie przycisk powtarzania na pilocie zdalnego sterowania, aby przełączyć tryb odtwarzania między powtórz jeden/powtórz wszystkie; naciśnij przycisk cyfry na pilocie zdalnego sterowania, aby szybko wybrać utwór muzyczny; naciśnij przycisk U/SD na pilocie zdalnego sterowania, aby przełączyć tryb odtwarzania między USB i microSD.

Uwaga:

- Nie zaleca się używania przedłużacza USB do odtwarzania z urządzenia USB, ponieważ może to spowodować utratę danych podczas przesyłania i zakłócenia na wyjściu.
- Maksymalna wielkość obsługiwanego urządzenia USB/microSD wynosi do 32 G.
- Obsługiwane formaty plików muzycznych to MP3/WMA/WAV/FLAC, ale nie wszystkie są gwarantowane.
- Tryb odtwarzania USB i microSD jest dostępny tylko po podłączeniu urządzenia.

LINE IN/AUX IN

Za pomocą dostarczonego kabla audio połącz gniazdo AUX na górnym panelu głośnika z wyjściem liniowym lub gniazdem słuchawkowym dowolnego zewnętrznego odtwarzacza audio, takiego jak odtwarzacz MP3 itp. Włącz głośnik i krótko naciśnij przycisk Mode, aby przejść do trybu odtwarzania AUX IN; wybierz i odtwarzaj muzykę z zewnętrznego odtwarzacza audio, a następnie dźwięk będzie odtwarzany przez głośnik.

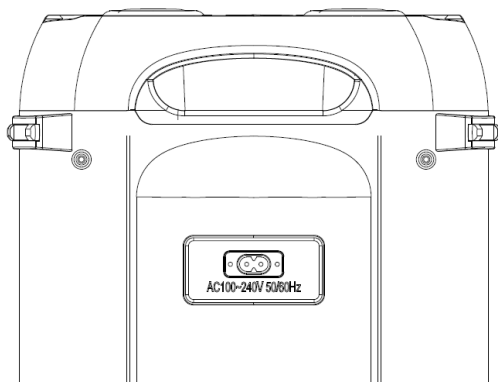
Uwagi:

- W trybie AUX IN główny element sterujący znajduje się po stronie zewnętrznego odtwarzacza audio. Nadal można jednak zwiększać lub zmniejszać głośność po stronie głośnika.

Karaoke

Produkt posiada funkcję Karaoke. Przytrzymaj i obróć dolną część dostarczonego mikrofonu bezprzewodowego w kierunku przeciwnym do ruchu wskazówek zegara, aby poluzować i otworzyć komorę baterii, włóż 2 sztuki baterii AA (brak w zestawie) zgodnie z prawidłową biegunowością dodatnią i ujemną, a następnie obróć dolną część mikrofonu w kierunku zgodnym z ruchem wskazówek zegara, aby dokręcić i zamknąć komorę baterii. Naciśnij przełącznik ON/OFF, aby włączyć mikrofon, a po kilku sekundach głośnik automatycznie sparuje się z mikrofonem bezprzewodowym. Ustaw odpowiedni poziom głośności wyjścia mikrofonu na górnym panelu, a następnie zacznij śpiewać. Urządzenie zawiera również gniazdo wejściowe mikrofonu przewodowego, podłącz mikrofon przewodowy (brak w zestawie) do gniazda 6,3 mm, a następnie włącz mikrofon.

Głośność wyjściowa mikrofonu i echo: obróć pokrętko głośności mikrofonu na górnym panelu, aby dostosować głośność wyjściową mikrofonu; naciśnij krótko przycisk menu na górnym panelu, aby regulować efekt echa, obróć główne pokrętko głośności, aby odpowiednio dostosować poziom wyjściowy echa. (EC=mikrofonowe echo, zalecane ustawienia: głośność=12; echo=6)



Podłączenie zasilania: Należy sprawdzić, czy źródło zasilania jest zgodne ze specyfikacją napięcia znamionowego, która znajduje się na tylnym panelu urządzenia. Jeśli nie odpowiada, należy skonsultować się ze sprzedawcą lub centrum serwisowym. Włóż dostarczoną końcówkę żeńską przewodu zasilającego do gniazda prądu przemiennego, a następnie podłącz wtyczkę zasilania do gniazda ściennego, aby uzyskać zasilanie.

Włączanie urządzenia: długie naciśnięcie przycisku zasilania na panelu górnym przez 5 sekund może włączyć lub wyłączyć urządzenie; krótkie naciśnięcie przycisku zasilania może włączyć lub wyłączyć urządzenie w trybie czuwania;

Ładowanie akumulatora: urządzenie posiada wbudowany akumulator, który umożliwia odtwarzanie muzyki bez podłączenia do zasilania sieciowego. Podczas ładowania akumulatora dioda LED ładowania będzie świecić na czerwono na górnym panelu. Po pełnym naładowaniu dioda LED ładowania zmieni kolor na zielony. Akumulator zostanie naładowany również po wyłączeniu urządzenia, ale będzie dostępny po odłączeniu zasilania sieciowego. Czas ładowania akumulatora wynosi 5 ~ 7 godzin, a czas odtwarzania 2 ~ 4 godziny, w zależności od poziomu głośności odtwarzania. Urządzenie wyłączy się automatycznie w przypadku niskiego poziomu naładowania akumulatora.

Korzystanie z akumulatora:

1. Gdy akumulator jest rozładowany, należy ją jak najszybciej naładować. Jeśli nie będzie ładowany przez dłuższy czas, jego wewnętrzna pojemność ulegnie zmniejszeniu, co uniemożliwi pełne naładowanie lub skróci czas działania.
2. Nie należy ładować akumulatora dłużej niż 24 godziny. Nadmierne rozładowanie lub przeładowanie skracają żywotność. Wielokrotne ładowanie i rozładowywanie wpływa na żywotność akumulatora oraz czas odtwarzania. Nie można zagwarantować tego samego czasu odtwarzania w każdych warunkach. Zmienna żywotność akumulatora nie może być podstawą do roszczeń gwarancyjnych.
3. Ikona baterii znajdująca się w prawym dolnym rogu wyświetlacza nie może dokładnie odzwierciedlać pojemności akumulatora ze względu na dynamiczne zużycie. Gdy pierwsza siatka zniknie, prawdopodobnie bateria została zużyta w 60~80 %.
4. Po rozładowaniu baterii urządzenie może normalnie pracować przy zasilaniu sieciowym

Działanie Bluetooth

Głośnik posiada funkcję Bluetooth, która umożliwia bezprzewodowe odtwarzanie dźwięku z innych urządzeń Bluetooth, takich jak smartfony itp. Postępuj zgodnie z poniższymi instrukcjami:

1. Włącz zasilanie urządzenia i naciśnij przycisk trybu, aby przejść do trybu Bluetooth, a na wyświetlaczu pojawi się "BLUE".
2. Włącz funkcję Bluetooth w urządzeniu Bluetooth i wyszukaj dostępne urządzenie Bluetooth (zapoznaj się z instrukcją obsługi urządzenia).
3. Sprawdź dostępne urządzenie Bluetooth na liście menu urządzenia i wybierz "P3_PULSE", aby rozpocząć parowanie. Wprowadź "0000" (4 zera) w przypadku, gdy podczas parowania wymagane jest hasło.

Funkcja priorytetu mikrofonu: w przypadku aktywacji funkcji z górnego panelu poprzez naciśnięcie przycisku priorytetu, głos karaoke będzie odtwarzany z głośnika priorytetowo (wyciszając muzykę w tle); i automatycznie wznowi odtwarzanie muzyki w tle po zakończeniu śpiewania.

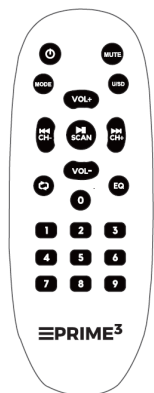
Uwagi

- a. Po ustawieniu głośności / echa na wysokim poziomie z głośnika może wydobywać się duży szum z powodu przeciążenia i zniekształceń mikrofonu. Nie jest to nieprawidłowe działanie. Dlatego należy powoli zmieniać i zwiększać te ustawienia, a następnie wyłączyć mikrofon w celu ponownienia próby w przypadku wystąpienia tak dużego hałasu.
- b. Możesz korzystać z funkcji karaoke i słuchać muzyki w tym samym czasie; w przypadku, gdy chcesz zwiększyć głośność karaoke i zmniejszyć głośność muzyki w tle, możesz spróbować wyregulować oddzielną głośność mikrofonu i główne pokrętko głośności.
- c. Wyłącz mikrofon, gdy umieścisz go obok głośnika, w przeciwnym razie spowoduje to wystąpienie zakłóceń oraz hałasu.
- d. Umożliwia jednocześnie korzystanie z mikrofonu bezprzewodowego i przewodowego.
- e. Maksymalna odległość robocza mikrofonu bezprzewodowego wynosi około 25 metrów od głośnika i bez przeszkód pomiędzy nimi. Zalecana odległość robocza to 10 metrów.
- f. Gdy czerwony wskaźnik LED zasilania miga na mikrofonie bezprzewodowym, oznacza to, że poziom naładowania baterii jest niski i przypomina o konieczności wymiany baterii na nową. Pozostała moc baterii może nadal działać i obsługiwać około 2 godzin w zależności od jakości baterii.

Światło dyskotekowe: krótkie naciśnięcie przycisku efektów świetlnych na górnym panelu odpowiada za zmianę lub włączenie światła dyskotekowego głośnika (8 efektów).

Wyciszenie głośnika: krótkie naciśnięcie przycisku wyciszenia na pilocie zdalnego sterowania może spowodować wyciszenie głośnika; ponowne naciśnięcie lub obrócenie pokrętki głośności może wznowić odtwarzanie.

EQ i regulacja tonów wysokich/niskich: krótkie naciśnięcie przycisku EQ na górnym panelu lub pilocie zdalnego sterowania może wybrać i dostosować wstępnie ustawiony EQ (FLAT/POP/ROCK/JAZZ/CLASSIC); krótkie naciśnięcie przycisku menu na górnym panelu może uzyskać opcje tonów wysokich lub niskich, natomiast obróć główne pokrętko głośności, aby dostosować poziom wyjściowy. Funkcja ta działa w trybie Bluetooth/FM/USB/microSD/LINE IN.



Pilot zdalnego sterowania: urządzenie zawiera prosty pilot zdalnego sterowania, którego przyciski korespondują z głównym panelem sterowania głośnika.

Rozwiązywanie problemów

1. Urządzenie nie może się włączyć.
 - a. Naładuj urządzenie i spróbuj ponownie.
 - b. Sprawdź, czy zasilanie AC zostało prawidłowo podłączone.
 - c. Jeśli problem nadal występuje, skontaktuj się z centrum serwisowym.
2. Brak lub przerywany dźwięk w trybie Bluetooth.
 - a. Wyłącz Bluetooth i ponownie sparuj z głośnikiem.
 - b. Umieść urządzenie Bluetooth bliżej głośnika.
3. Brak dostępnej stacji FM lub szum tła w paśmie FM.
 - a. Dostrój do innej stacji FM.
 - b. Spróbuj przesunąć urządzenie obok okna, aby uzyskać lepszy odbiór.
4. Głośnik nie może odczytać muzyki zapisanej na karcie USB lub microSD.
 - a. Sprawdź, czy karta USB lub microSD została prawidłowo włożona do gniazda.
 - b. Sprawdź, czy format audio to MP3/WMA/WAV/FLAC.

Specyfikacja:

- Bluetooth do odtwarzania muzyki poprzez profil audio streaming (A2DP)
- Czas odtwarzania muzyki: ~4 h
- Podwójne wejście mikrofonowe 6,5 mm
- Mikrofon UHF bezprzewodowy w zestawie
- Funkcja TWS
- Moc: 6000 W P.M.P.O.
- Wielokolorowe podświetlenie LED ze specjalnymi efektami świetlnymi
- Gniazdo AUX, gniazdo USB
- Odtwarzacz MP3 microSD (do 32 GB)
- Regulacja basów/wysokich tonów
- Podwójny 6,5-calowy głośnik niskotonowy i podwójny 1-calowy głośnik wysokotonowy
- Funkcja TWS
- Equalizer
- Radio FM: 87,5~108,0 MHz
- Wbudowany akumulator: 7,4 V, 3,6 Ah
- Czas ładowania: 6~8 h
- Akcesoria: 1x kabel zasilający, 1x kabel AUX, 1x pilot zdalnego sterowania, 1x mikrofon UHF bezprzewodowy
- Źródło zasilania: 100 V~ 240 V~ 50/60 Hz
- Wymiary: 28,5 x 28 x 63 cm
- Waga: 6,8 kg



2N-Everpol Sp. z o.o.
ul. Puławska 403A
02-801 Warsaw, Poland
phone: +48 22 688 08 00
e-mail: info@prime3.pl
www.prime3.pl

W przypadku pytań lub problemów
prosimy o kontakt z naszym serwisem.
In case of questions or problems
please contact our service.
Tel. +48 22 688 08 33
E-mail: info@prime3.pl

Wszelkie prawa zastrzeżone. Wszystkie nazwy marek są zarejestrowanymi
znakami towarowymi należącymi do odpowiednich podmiotów.
Dane i parametry techniczne mogą ulec zmianie bez wcześniejszego uprzedzenia.

All rights reserved. All brand names are registered trademarks of their
respective owners. Specifications are subject to change without prior notice.